



January 1, 2019

PRODUCT AND PRICING BULLETIN

NEW HOLLAND BRAND PRODUCTS, U.S. NO. 19-05A

NEW HOLLAND DEALERS WITH LIGHT CE AGREEMENT

SUBJECT: **COMPACT EXCAVATORS: PRICE PAGES - EFFECTIVE 1/1/2019**

Purpose:

The attached Price & Data pages reflect the price adjustment effective January 1, 2019 for the **E33C** model only per Price and Data Bulletin US18-61A/CN18-60A published December 3, 2018. All other models remain with August 6, 2018 price adjustments per Price and Data Bulletin US18-50A. The 2% Steel Surcharge is continued.



Action Required:

- Please carefully read through this Product & Pricing Bulletin.
- Review this bulletin with the appropriate people in your organization to ensure they understand the new pricing structure.
- Update business systems as required.
- File this bulletin under your Compact Excavators tab for easy reference.
- Refer to your Dealer Policy Manual for details or contact Dealer Sales Support for assistance.

This bulletin and the price pages may also be accessed via the Dealer Portal if you have the Light CE agreement with New Holland. Log on to the Dealer Portal, with the "Wholegoods" button displayed, click on "Pricing," and then click on "Compact Excavators." The latest published items will appear.

Please replace your current P&D pages with those attached to this bulletin.

Christine Chleboun
Director, Commercial Marketing
New Holland, North America

Dan Valen
Director, Product Marketing
New Holland, North America

Attachment



U.S. PRICE LIST

COMPACT EXCAVATORS

UP-CEX REVISION 28

EFFECTIVE January 1, 2019

THIS IS AN ELECTRONIC COPY ONLY – HARD COPIES WILL NOT BE DISTRIBUTED.

The prices included in this revision supersede any prices established prior to the effective date shown unless specifically identified in a price bulletin as superseding this price list.

Below is a list of Family(s) and Model(s) that are included in this price list.

Compact Excavators
E17C E37C
E26C E57C
E30C E60C
E33C

PLEASE NOTE: Retain the price book pages of the discontinued series for your records.

Copyright 2019 By
CNH Industrial America LLC



INDEX

Compact Excavator Line Price & Data Pages

<u>EQUIPMENT DESCRIPTION</u>	<u>PAGE</u>
Compact Excavators	
E17C CANOPY	3
E26C CANOPY	7
E26C CAB	14
E30C CANOPY	21
E30C CAB	28
E33C CANOPY	35
E37C CANOPY	42
E37C CAB	50
E57C CAB	58
E60C CAB	65
Service Parts DIA Kit List	73
Appendix A Bucket & Coupler Knowledge Guide	74



**E17C COMPACT EXCAVATOR
US PRICE LIST**

Standard Equipment

ENGINE:

Kubota D902 3 Cyl. water-cooled, mechanical injection diesel
54.8 CID (0.898L)
Tier 4 Final
Glow plugs
Horsepower:
Gross 16.8 HP (12.5 Kw)@2,300 RPM
Maximum Engine Torque:
39.49 lb ft (53.54 Nm)@1900 RPM
Dry type air cleaner

OPERATOR PROTECTIVE STRUCTURE:

ROPS/FOPS:
Two post canopy design
Sound levels:
ISO 6396:2008 sound pressure level LpA=76dB(A)
Mechanical Suspension seat, with seat belt
Pilot operated joysticks for boom, arm bucket, and swing with adjustable wrist rests
Foot pedal for swing tower control

Gauges:

Engine Coolant Temperature and Fuel level

Indicator Lights:

Engine oil pressure, coolant temperature, battery charge, low fuel warning, engine preheat, Air cleaner warning, Hyd. quick coupler lock, and high travel speed

ELECTRICAL:

12 Volt electrical starting system includes heavy-duty battery and starting motor
40 Amp Alternator
Battery Master Switch
Key Start
Anti-Theft-Engine starting passwords
Dual 12V power plug recepticals
Front working Light
Pre-wired telematics ready

BLADE:

Hydraulically controlled dozer blade with adjustable width

UNDERCARRIAGE:

Variable undercarriage (3'3" to 4'3")
Track pad width: 9" (230 mm)
Track length: 5'3" (1590 mm)
Gradeability: 30 degrees
Ground Clearance: 6.7" (170 mm)

TRACK DRIVE:

Two speed Auto shift travel
Fully hydrostatic drive system
Track tension adjustment(grease type)
Sealed and lubricated track

HYDRAULICS:

Control pattern selector valve
Hydraulic oil filter
Total Auxiliary Flow:
7.2 gpm @ 2,466 psi
(27.4 L/min @ 170 bar)
Main Pump: 2,990 PSI
Auxiliary piping capped at end of dipper
Proportional auxiliary hydraulic flow control
Selector valve for single or two way aux flow
Large capacity hydraulic oil cooler
Cylinder rod protection covers
-Dozer, Boom

UPPER:

Standard Arm: 3'2" (0.96 m)
Optional Long Arm: 3'8" (1.12 m)
Boom: 5'11" (1.8 m)
Boom Swing: 70° left / 54° right
Zero Tail Swing

MISCELLANEOUS:

Operating weight:
Canopy, short arm-3,750 lb (1700kg)
Canopy, Long arm with additional counterweight-3,950 lbs.(1790 kg)
Additional Counterweight - 180 lbs

WARRANTY - Base Warranty coverage:

2-Year/3,000-Hour Full Machine Limited Warranty

SHIPPING POINT:

Port of Entry



**E17C COMPACT EXCAVATOR
US PRICE LIST**

Models

COMMERCIAL MODEL	Weight	Factory Data	List Price
E17C	3,910 LB		\$31,732.00

Packet	Description	Weight	Factory Data	List Price
E17C Long Arm Pack				\$639.00
SD_30180-TRAVEL ALARM	Travel Alarm			
SD_40003-COUNTERWEIGHT	Additional Counterweight.			
SD_47181-OPERATOR'S MANUAL	Operators Manual - English			
SD_X5406-1ST AUX HYD TWO WAYS	2Way Aux Joystick Proportional			
SD_X6100-ARM	Long Arm - 747329			
SD_X6207-HYDR Q/C PROV.	W/O Q/C Provision			
E17C Short Arm Pack				\$166.00
SD_30180-TRAVEL ALARM	Travel Alarm			
SD_40003-COUNTERWEIGHT	Standard Counterweight.			
SD_47181-OPERATOR'S MANUAL	Operators Manual - English			
SD_X5406-1ST AUX HYD TWO WAYS	2Way Aux Joystick Proportional			
SD_X6100-ARM	Short Arm - 747320			
SD_X6207-HYDR Q/C PROV.	W/O Q/C Provision			



**E17C COMPACT EXCAVATOR
US PRICE LIST**

Factory Supplied Options

Order Code	Description	Weight	Factory Data	List Price
SD_10181 CRAWLER TYPE				
9552700	Rubber Tracks One-piece molded rubber belt track with a steel cable core. The entire track must be replaced at time of service. Select this track for general use on soils and hard surfaces.			No Charge
SD_30180 TRAVEL ALARM				
747453	Travel Alarm			\$166.00
SD_40003 COUNTERWEIGHT				
747995	Standard Counterweight.			No Charge
747996	Additional Counterweight. Additional bolt-on weight that adds 180 lb (82 kg)			\$146.00
SD_47181 OPERATOR'S MANUAL				
747480	Operators Manual - English			No Charge
747961	Operators Manual - French			No Charge
747464	Operators Manual- Spanish			No Charge
SD_X5406 1ST AUX HYD TWO WAYS				
747054	2Way Aux Pedal Proportional			No Charge
747055	2Way Aux Joystick Proportional			No Charge
SD_X6100 ARM				
747320	Short Arm - 747320 Please refer to the standard pages for arm lengths			No Charge
747329	Long Arm - 747329 Please refer to the standard pages for arm lengths			\$327.00
SD_X6207 HYDR Q/C PROV.				
747065	W/O Q/C Provision			No Charge
747064	Hydraulic Q/C Provision Includes switch & hydraulic lines to end of arm			\$500.00
SD_X6210 BEACON				
XX6210X	W/O Beacon			No Charge
747070	Beacon			\$280.00



**E17C COMPACT EXCAVATOR
US PRICE LIST**

Factory Supplied Attachments

Order Code	Description	Weight	Factory Data	List Price
------------	-------------	--------	--------------	------------

KLAC Buckets & Coupler

47422586	10" HD Bucket (KLAC Coupler) Always reference model lifting capacities when configuring units with attachments	88 LB		\$507.00
47422587	12" HD Bucket (KLAC Coupler) Always reference model lifting capacities when configuring units with attachments	95 LB		\$534.00
47422588	16" HD Bucket (KLAC Coupler) Always reference model lifting capacities when configuring units with attachments	106 LB		\$587.00
47422589	18" HD Bucket (KLAC Coupler) Always reference model lifting capacities when configuring units with attachments	117 LB		\$655.00
47422602	KLAC Base Plate (To adapt other buckets) Always reference model lifting capacities when configuring units with attachments	11 LB		\$238.00
48057632	QUICK-HITCH (Compatible with both B/C - Series KLAC buckets) Always reference model lifting capacities when configuring units with attachments.	13 LB		\$848.00

Pin-On/Mech. Buckets & Coupler

48057605	10"HD Bucket (Pin-on/Mechanical Coupler) Always reference model lifting capacities when configuring units with attachments	79 LB		\$356.00
48057606	12"HD Bucket (Pin-on/Mechanical Coupler) Always reference model lifting capacities when configuring units with attachments	86 LB		\$384.00
48057607	16"HD Bucket (Pin-on/Mechanical Coupler) Always reference model lifting capacities when configuring units with attachments	97 LB		\$437.00
48057608	18"HD Bucket (Pin-on/Mechanical Coupler) Always reference model lifting capacities when configuring units with attachments	106 LB		\$505.00
48057609	QUICK-HITCH Only compatible with C - series buckets Includes 1 set of dead pins for installation into a single bucket Always reference model lifting capacities when configuring units with attachments.	29 LB		\$1,535.00
48057610	Dead Pin Kit (for additional buckets) Required when ordering more than 1 bucket with a Pin-Grabber Coupler (1 SET INCLUDED W/MECH COUPLER)	5 LB		\$159.00



**E26C COMPACT EXCAVATOR CANOPY
US PRICE LIST**

Standard Equipment

ENGINE:

Kubota D1305 3 Cyl. water-cooled, mechanical injection diesel
77.0 CID (1.261L)
Tier 4 Final
Glow plugs
Horsepower:
Gross 24.8 HP (18.5 Kw)@2,400 RPM
Maximum Engine Torque:
60.0 lb ft (81.4 Nm)@1600 RPM
Dry type air cleaner dual element

OPERATOR PROTECTIVE STRUCTURE:

ROPS/FOPS:

Four post canopy design
Sound levels:
ISO6396:2008 sound pressure level
LpA=77bB(A)
Mechanical Suspension seat, with
2" seat belt
Pilot operated joysticks for boom, arm
bucket, and swing with adjustable
wrist rests
Foot pedals for travel control and
swing Tower control

Gauges:

Engine Coolant Temperature and Fuel
level

Indicator Lights:

Engine oil pressure, coolant
temperature, battery
charge, low fuel warning, engine
preheat, Air cleaner warning,
Hyd. quick coupler
lock, and high travel speed

ELECTRICAL:

12 Volt electrical starting system
includes heavy-duty battery and
starting motor
40 Amp Alternator
Battery Master Switch
Key Start
Anti-Theft-Engine starting passwords
Dual 12V power plug recepticals
Front working Light
Pre-wired telematics ready

BLADE:

Hydraulically controlled dozer blade

UNDERCARRIAGE:

Rubber tracks
Track pad width: 9.8" (250 mm)
Track length: 6'3" (1910 mm)
Gradeability: 30 degrees
Ground Clearance: 11" (290 mm)

TRACK DRIVE:

Two speed Auto shift travel
Fully hydrostatic drive system
Track tension adjustment
(grease type)
Sealed and lubricated track

HYDRAULICS:

Control pattern selector valve
Hydraulic oil filter
Total Auxiliary Flow:
12.5 gpm @ 2,538 psi
(47.2 L/min @ 175 bar)
Main Pump: 3,130 PSI
Auxiliary piping capped at end of dipper
Proportional auxiliary hydraulic flow
control
Selector valve for single or two way
aux flow
Large capacity hydraulic oil cooler
Cylinder rod protection covers
-Dozer & Boom

UPPER:

Standard Arm: 3'8" (1.12 m)
Optional Long Arm: 4'5" (1.35 m)
Boom: 6'5" (1.95 m)
Boom Swing: 75° left / 50° right
Zero Tail Swing
Bucket Linkage with lifting hook

MISCELLANEOUS:

Operating weight:
Canopy short arm-5,360 lbs.(2430kg)
Canopy, long arm, additional
counterweight-5,670 lbs(2570 kg)
Additional Counterweight-286 lbs

WARRANTY: Base Warranty Coverage
2-Year/3,000-Hour Full Machine Limited
Warranty



**E26C COMPACT EXCAVATOR CANOPY
US PRICE LIST**

Standard Equipment

SHIPPING POINT:
Port of Entry



**E26C COMPACT EXCAVATOR CANOPY
US PRICE LIST**

Models

COMMERCIAL MODEL	VERSION	Weight	Factory Data	List Price
E26C	CANOPY CANOP	5,520 LB		\$39,605.00

Packet	Description		Weight	Factory Data	List Price
E26C Long Arm Pack					\$1020.00
SD_30180-TRAVEL ALARM		Travel Alarm			
SD_40003-COUNTERWEIGHT		Additional Counterweight.			
SD_47181-OPERATOR'S MANUAL		Operators Manual - English			
SD_X5405-2ND AUX. CIRCUIT		W/O 2nd Aux 2-Way Proportional			
SD_X5406-1ST AUX HYD TWO WAYS		2Way Aux Joystick Proportional			
SD_X5414-AUX WORKLIGHTS CAB		Working Lights			
SD_X5430-THUMB CYL BRACKET		W/O Thumb Bracket			
SD_X6100-ARM		Long Arm - 747329			
SD_X6206-LINKAGE		Linkage With Hook			
SD_X6207-HYDR Q/C PROV.		W/O Q/C Provision			
SD_X6210-BEACON		Beacon			
E26C Short Arm Pack					\$487.00
SD_30180-TRAVEL ALARM		Travel Alarm			
SD_40003-COUNTERWEIGHT		Standard Counterweight.			
SD_47181-OPERATOR'S MANUAL		Operators Manual - English			
SD_X5405-2ND AUX. CIRCUIT		W/O 2nd Aux 2-Way Proportional			
SD_X5406-1ST AUX HYD TWO WAYS		2Way Aux Joystick Proportional			
SD_X5414-AUX WORKLIGHTS CAB		Working Lights			
SD_X5430-THUMB CYL BRACKET		W/O Thumb Bracket			
SD_X6100-ARM		Short Arm - 747320			
SD_X6206-LINKAGE		Linkage With Hook			
SD_X6207-HYDR Q/C PROV.		W/O Q/C Provision			
SD_X6210-BEACON		Beacon			



**E26C COMPACT EXCAVATOR CANOPY
US PRICE LIST**

Factory Supplied Options

Order Code	Description	Weight	Factory Data	List Price
SD_10181 CRAWLER TYPE				
9552700	Rubber Tracks One-piece molded rubber belt track with a steel cable core. The entire track must be replaced at time of service. Select this track for general use on soils and hard surfaces.			No Charge
SD_30180 TRAVEL ALARM				
747453	Travel Alarm			
	if BRAND is New Holland CE			\$207.00
SD_40003 COUNTERWEIGHT				
747995	Standard Counterweight.			No Charge
747996	Additional Counterweight. Additional bolt-on weight that adds: 286 lb (130 kg) on E26C & E33C models 330 lb (150 kg) on E37C models			\$207.00
SD_47181 OPERATOR'S MANUAL				
747480	Operators Manual - English			No Charge
747961	Operators Manual - French			No Charge
747464	Operators Manual- Spanish			No Charge
SD_X5405 2ND AUX. CIRCUIT				
747999	W/O 2nd Aux 2-Way Proportional			No Charge
747053	2nd Aux 2-Way Proportional			\$1,633.00
SD_X5406 1ST AUX HYD TWO WAYS				
747054	2Way Aux Pedal Proportional			No Charge
747055	2Way Aux Joystick Proportional			No Charge
SD_X5430 THUMB CYL BRACKET				
747059	W/O Thumb Bracket			No Charge
747058	Thumb Bracket			\$443.00
SD_X6100 ARM				
747320	Short Arm - 747320 Please refer to the standard pages for arm lengths			No Charge
747329	Long Arm - 747329 Please refer to the standard pages for arm lengths			\$327.00



**E26C COMPACT EXCAVATOR CANOPY
US PRICE LIST**

Factory Supplied Attachments

Order Code	Description	Weight	Factory Data	List Price
------------	-------------	--------	--------------	------------

KLAC Buckets & Coupler

48094116	12"HD Bucket (KLAC Coupler) Always reference model lifting capacities when configuring units with attachments.	143 LB		\$523.00
48094117	18"HD Bucket (KLAC Coupler) Always reference model lifting capacities when configuring units with attachments.	176 LB		\$625.00
48094118	24"HD Bucket (KLAC Coupler) Always reference model lifting capacities when configuring units with attachments.	209 LB		\$800.00
47422632	KLAC Base Plate (To adapt other buckets) Always reference model lifting capacities when configuring units with attachments.	20 LB		\$285.00
48057633	Coupler, KLAC Always reference model lifting capacities when configuring units with attachments.	71 LB		\$1,102.00

Pin-On/Mech. Buckets & Coupler

48057611	12"HD Bucket (Mech/Hyd Coupler) Always reference model lifting capacities when configuring units with attachments.	121 LB		\$521.00
48057612	18"HD Bucket (Mech/Hyd Coupler) Always reference model lifting capacities when configuring units with attachments.	154 LB		\$623.00
48057613	24"HD Bucket (Mech/Hyd Coupler)	185 LB		\$797.00
48057615	Coupler, Mechanical Pin-Grabber Only compatible with C-Series bucket Always reference model lifting capacities when configuring units with attachments.	95 LB		\$1,538.00
47457879	Dead Pin Kit Required when ordering more than 1 bucket with a Pin-Grabber Coupler 1 SET INCLUDED W/MECH AND HYD COUPLERS	8 LB		\$178.00
48094307	Coupler,Hydraulic Pin-Grabber Compatible with both the B and C series buckets. When used with a B-series bucket, it requires the removal of the spacer plates. Includes 1 set of dead pins for installation into a single bucket Always reference model lifting capacities when configuring units with attachments.	99 LB		\$3,386.00

Thumbs

48058019	Thumb Kit, Hyd.,Short Tines FOR E26C USE W/DIRECT FIT, KLAC BUCKETS AND MECH PIN-GRABBER COUPLER FOR E30C USE WITH KLAC BUCKETS AND MECH PIN-GRABBER COUPLER Always reference model lifting capacities when configuring units with attachments.	150 LB		\$2,249.00
----------	--	--------	--	------------



**E26C COMPACT EXCAVATOR CANOPY
US PRICE LIST**

	48094114	Thumb Kit, Hyd., Long Tines For E26C - USE W/HYD PIN-GRABBER COUPLER ONLY For E30C - USE WITH PIN-ON BUCKETS & HYD PIN-GRABBER COUPLER Always reference model lifting capacities when configuring units with attachments.	150 LB		\$2,249.00
--	----------	--	--------	--	------------



**E26C COMPACT EXCAVATOR CAB
US PRICE LIST**

Standard Equipment

ENGINE:

Kubota D1305 3 Cyl. water-cooled, mechanical injection diesel
77.0 CID (1.261L)
Tier 4 Final
Glow plugs
Horsepower:
Gross 24.8 HP (18.5 Kw)@2,400 RPM
Maximum Engine Torque:
60.0 lb ft (81.4 Nm)@1600 RPM
Dry type air cleaner dual element

OPERATOR PROTECTIVE STRUCTURE:

ROPS/FOPS:

Enclosed Cab with Overhead opening front window, Sliding side window, Lockable door, Heater and defroster, Radio/USB player + 2 speakers
Mechanical Suspension seat, with 2" seat belt
Pilot operated joysticks for boom, arm bucket, and swing with adjustable wrist rests
Foot pedals for travel control and swing Tower control

Gauges:

Engine Coolant Temperature and Fuel level

Indicator Lights:

Engine oil pressure, coolant temperature, battery charge, low fuel warning, engine preheat, Air cleaner warning, Hyd. quick coupler lock, and high travel speed

ELECTRICAL:

12 Volt electrical starting system includes heavy-duty battery and starting motor
40 Amp Alternator
Battery Master Switch
Key Start
Anti-Theft-Engine starting passwords
Dual 12V power plug recepticals
Front working Light
Pre-wired telematics ready

BLADE:

Hydraulically controlled dozer blade

UNDERCARRIAGE:

Rubber tracks
Track pad width: 9.8" (250 mm)
Track length: 6'3" (1910 mm)
Gradeability: 30 degrees
Ground Clearance: 11" (290 mm)

TRACK DRIVE:

Two speed Auto shift travel
Fully hydrostatic drive system
Track tension adjustment (grease type)
Sealed and lubricated track

HYDRAULICS:

Control pattern selector valve
Hydraulic oil filter
Total Auxiliary Flow:
12.5 gpm @ 2,538 psi
(47.2 L/min @ 175 bar)
Main Pump: 3,130 PSI
Auxiliary piping capped at end of dipper
Proportional auxiliary hydraulic flow control
Selector valve for single or two way aux flow
Large capacity hydraulic oil cooler
Cylinder rod protection covers
-Dozer & Boom

UPPER:

Standard Arm: 3'8" (1.12 m)
Optional Long Arm: 4'5" (1.35 m)
Boom: 6'5" (1.95 m)
Boom Swing: 75° left / 50° right
Zero Tail Swing
Bucket Linkage with lifting hook

MISCELLANEOUS:

Operating weight:
Cab, short arm - 5,690 lbs (2580 kg)
Cab, long arm, additional counterweight - 6,000 lbs (2720 kg)
Additional Counterweight - 286 lbs

WARRANTY-Base warranty coverage:

2-Year/3,000-Hour Full Machine Limited Warranty



**E26C COMPACT EXCAVATOR CAB
US PRICE LIST**

Standard Equipment

SHIPPING POINT:
Port of Entry



**E26C COMPACT EXCAVATOR CAB
US PRICE LIST**

Models

COMMERCIAL MODEL	VERSION	Weight	Factory Data	List Price
E26C	Cab	5,850 LB		\$44,438.00

Packet	Description		Weight	Factory Data	List Price
E26C CAB Long Arm					\$1020.00
SD_05136-RADIO OPTION		Radio and USB			
SD_30180-TRAVEL ALARM		Travel Alarm			
SD_40003-COUNTERWEIGHT		Additional Counterweight.			
SD_47181-OPERATOR'S MANUAL		Operators Manual - English			
SD_X5183-AIR COND/HEATER		Heater Only			
SD_X5405-2ND AUX. CIRCUIT		W/O 2nd Aux 2-Way Proportional			
SD_X5406-1ST AUX HYD TWO WAYS		2Way Aux Joystick Proportional			
SD_X5414-AUX WORKLIGHTS CAB		Working Lights			
SD_X5430-THUMB CYL BRACKET		W/O Thumb Bracket			
SD_X6100-ARM		Long Arm - 747329			
SD_X6206-LINKAGE		Linkage With Hook			
SD_X6207-HYDR Q/C PROV.		W/O Q/C Provision			
SD_X6210-BEACON		Beacon			
E26C CAB Short Arm					\$487.00
SD_05136-RADIO OPTION		Radio and USB			
SD_30180-TRAVEL ALARM		Travel Alarm			
SD_40003-COUNTERWEIGHT		Standard Counterweight.			
SD_47181-OPERATOR'S MANUAL		Operators Manual - English			
SD_X5183-AIR COND/HEATER		Heater Only			
SD_X5406-1ST AUX HYD TWO WAYS		2Way Aux Joystick Proportional			
SD_X5414-AUX WORKLIGHTS CAB		Working Lights			
SD_X5430-THUMB CYL BRACKET		W/O Thumb Bracket			
SD_X6100-ARM		Short Arm - 747320			
SD_X6206-LINKAGE		Linkage With Hook			
SD_X6207-HYDR Q/C PROV.		W/O Q/C Provision			
SD_X6210-BEACON		Beacon			



**E26C COMPACT EXCAVATOR CAB
US PRICE LIST**

Factory Supplied Options

Order Code	Description	Weight	Factory Data	List Price
SD_10181 CRAWLER TYPE				
9552700	Rubber Tracks One-piece molded rubber belt track with a steel cable core. The entire track must be replaced at time of service. Select this track for general use on soils and hard surfaces.			No Charge
SD_30180 TRAVEL ALARM				
747453	Travel Alarm			
	if BRAND is New Holland CE			\$207.00
SD_40003 COUNTERWEIGHT				
747995	Standard Counterweight.			No Charge
747996	Additional Counterweight. Additional bolt-on weight that adds: 286 lb (130 kg) on E26C & E33C models 330 lb (150 kg) on E37C models			\$207.00
SD_47181 OPERATOR'S MANUAL				
747480	Operators Manual - English			No Charge
747961	Operators Manual - French			No Charge
747464	Operators Manual- Spanish			No Charge
SD_X5405 2ND AUX. CIRCUIT				
747999	W/O 2nd Aux 2-Way Proportional			No Charge
747053	2nd Aux 2-Way Proportional			\$1,633.00
SD_X5406 1ST AUX HYD TWO WAYS				
747054	2Way Aux Pedal Proportional			No Charge
747055	2Way Aux Joystick Proportional			No Charge
SD_X5430 THUMB CYL BRACKET				
747059	W/O Thumb Bracket			No Charge
747058	Thumb Bracket			\$443.00
SD_X6100 ARM				
747320	Short Arm - 747320 Please refer to the standard pages for arm lengths			No Charge
747329	Long Arm - 747329 Please refer to the standard pages for arm lengths			\$327.00
SD_X6206 LINKAGE				
747063	Linkage Without Hook			(\$61.00)



**E26C COMPACT EXCAVATOR CAB
US PRICE LIST**

SD_X6207 HYDR Q/C PROV.

	747065	W/O Q/C Provision			No Charge
	747064	Hydraulic Q/C Provision Includes switch & hydraulic lines to end of arm			\$500.00

SD_X6210 BEACON

	XX6210X	W/O Beacon			No Charge
	747070	Beacon			\$280.00



**E26C COMPACT EXCAVATOR CAB
US PRICE LIST**

Factory Supplied Attachments

Order Code	Description	Weight	Factory Data	List Price
------------	-------------	--------	--------------	------------

KLAC Buckets & Coupler

48094116	12"HD Bucket (KLAC Coupler) Always reference model lifting capacities when configuring units with attachments.	143 LB		\$523.00
48094117	18"HD Bucket (KLAC Coupler) Always reference model lifting capacities when configuring units with attachments.	176 LB		\$625.00
48094118	24"HD Bucket (KLAC Coupler) Always reference model lifting capacities when configuring units with attachments.	209 LB		\$800.00
47422632	KLAC Base Plate (To adapt other buckets) Always reference model lifting capacities when configuring units with attachments.	20 LB		\$285.00
48057633	Coupler, KLAC Always reference model lifting capacities when configuring units with attachments.	71 LB		\$1,102.00

Pin-On/Mech. Buckets & Coupler

48057611	12"HD Bucket (Mech/Hyd Coupler) Always reference model lifting capacities when configuring units with attachments.	121 LB		\$521.00
48057612	18"HD Bucket (Mech/Hyd Coupler) Always reference model lifting capacities when configuring units with attachments.	154 LB		\$623.00
48057613	24"HD Bucket (Mech/Hyd Coupler)	185 LB		\$797.00
48057615	Coupler, Mechanical Pin-Grabber Only compatible with C-Series bucket Always reference model lifting capacities when configuring units with attachments.	95 LB		\$1,538.00
47457879	Dead Pin Kit Required when ordering more than 1 bucket with a Pin-Grabber Coupler 1 SET INCLUDED W/MECH AND HYD COUPLERS	8 LB		\$178.00
48094307	Coupler,Hydraulic Pin-Grabber Compatible with both the B and C series buckets. When used with a B-series bucket, it requires the removal of the spacer plates. Includes 1 set of dead pins for installation into a single bucket Always reference model lifting capacities when configuring units with attachments.	99 LB		\$3,386.00

Thumbs

48058019	Thumb Kit, Hyd.,Short Tines FOR E26C USE W/DIRECT FIT, KLAC BUCKETS AND MECH PIN-GRABBER COUPLER FOR E30C USE WITH KLAC BUCKETS AND MECH PIN-GRABBER COUPLER Always reference model lifting capacities when configuring units with attachments.	150 LB		\$2,249.00
----------	--	--------	--	------------



**E26C COMPACT EXCAVATOR CAB
US PRICE LIST**

	48094114	Thumb Kit, Hyd., Long Tines For E26C - USE W/HYD PIN-GRABBER COUPLER ONLY For E30C - USE WITH PIN-ON BUCKETS & HYD PIN-GRABBER COUPLER Always reference model lifting capacities when configuring units with attachments.	150 LB		\$2,249.00
--	----------	--	--------	--	------------



**E30C COMPACT EXCAVATOR CANOPY
US PRICE LIST**

Standard Equipment

ENGINE:

Kubota D1305 3 Cyl. water-cooled, mechanical injection diesel
77.0 CID (1.261L)
Tier 4 Final
Glow plugs
Horsepower:
Gross 24.8 HP (18.5 kW)/2300
Net 23.2 HP (17.3 kW)/2300
Maximum Engine Torque:
60.0 lb ft (81.4 Nm) @ 1600 rpm
Dry type air cleaner dual element

OPERATOR PROTECTIVE STRUCTURE:

Sound Levels:

ISO 6396:2008 sound pressure level LpA=73.5dB (A)

ROPS/FOPS:

Four post canopy design
Mechanical suspension seat, with 2" seat belt
Pilot operated joysticks for boom, arm bucket, and swing with adjustable wrist rests
Foot pedals for travel control and swing tower control

Gauges:

Engine coolant temperature and fuel level

Indicator Lights:

Engine oil pressure, coolant temperature, battery charge, low fuel warning, engine preheat, air cleaner warning, hyd. quick coupler lock, and high travel speed

ELECTRICAL:

12 Volt electrical starting system includes heavy-duty battery and starting motor
40 Amp Alternator
Battery Master Switch
Key Start
Anti-Theft-Engine starting passwords
Dual 12V power plug recepticals
Front working light

Pre-wired telematics ready

BLADE:

Hydraulically controlled dozer blade

UNDERCARRIAGE:

Rubber tracks
Track pad width: 11.8" (250 mm)
Track length: 6'6" (1910 mm)
Gradeability: 30 degrees
Ground Clearance: 11" (290 mm)

TRACK DRIVE:

Two speed Auto shift travel
Fully hydrostatic drive system
Track tension adjustment (grease type)

Sealed and lubricated track

HYDRAULICS:

Control pattern selector valve
Hydraulic oil filter
Total Auxiliary Flow:
12.5 gpm @ 2,538 psi
(47.2 L/min @ 175 bar)
Main Pump: 3,130 PSI
Auxiliary piping capped at end of dipper
Proportional auxiliary hydraulic flow control
Selector valve for single or two-way aux flow
Large capacity hydraulic oil cooler
Cylinder rod protection covers
-Dozer & Boom

UPPER:

Standard Arm: 3'8" (1.12 m)
Boom: 6'8" (1.95 m)
Boom Swing: 75° left / 50° right
Zero Tail Swing
Bucket linkage with lifting hook

MISCELLANEOUS:

Operating weight:
Canopy short arm- 6,020 lbs.
(2505 kg)



**E30C COMPACT EXCAVATOR CANOPY
US PRICE LIST**

Standard Equipment

All weights are with rubber tracks, no
quick coupler, bucket, fluids, full of
fuel, and 165lb operator
Additional Counterweight - 286 lbs
Warranty - Base warranty Coverage:

2-Year/3,000-Hour Full Machine
Limited Warranty
SHIPPING POINT:
Port of Entry



**E30C COMPACT EXCAVATOR CANOPY
US PRICE LIST**

Models

COMMERCIAL MODEL	VERSION	Weight	Factory Data	List Price
E30C	CANOPY CANOP	5,520 LB		\$45,235.00
Includes the following Equipment Additional Counterweight. (747996) \$207.00				

Packet	Description	Weight	Factory Data	List Price
E30C Standard Arm Pack				\$693.00
SD_30180-TRAVEL ALARM	Travel Alarm			
SD_47181-OPERATOR'S MANUAL	Operators Manual - English			
SD_X5405-2ND AUX. CIRCUIT	W/O 2nd Aux 2-Way Proportional			
SD_X5406-1ST AUX HYD TWO WAYS	2Way Aux Joystick Proportional			
SD_X5414-AUX WORKLIGHTS CAB	Working Lights			
SD_X5430-THUMB CYL BRACKET	W/O Thumb Bracket			
SD_X6100-ARM	Short Arm - 747320			
SD_X6206-LINKAGE	Linkage With Hook			
SD_X6207-HYDR Q/C PROV.	W/O Q/C Provision			
SD_X6210-BEACON	Beacon			



**E30C COMPACT EXCAVATOR CANOPY
US PRICE LIST**

Factory Supplied Options

Order Code	Description	Weight	Factory Data	List Price
SD_10181 CRAWLER TYPE				
9552700	Rubber Tracks One-piece molded rubber belt track with a steel cable core. The entire track must be replaced at time of service. Select this track for general use on soils and hard surfaces.			No Charge
SD_30180 TRAVEL ALARM				
747453	Travel Alarm			
	if BRAND is New Holland CE			\$207.00
747994	W/O Travel Alarm			No Charge
SD_47181 OPERATOR'S MANUAL				
747480	Operators Manual - English			No Charge
747961	Operators Manual - French			No Charge
747464	Operators Manual- Spanish			No Charge
SD_X5405 2ND AUX. CIRCUIT				
747999	W/O 2nd Aux 2-Way Proportional			No Charge
747053	2nd Aux 2-Way Proportional			\$1,633.00
SD_X5406 1ST AUX HYD TWO WAYS				
747054	2Way Aux Pedal Proportional			No Charge
747055	2Way Aux Joystick Proportional			No Charge
SD_X5430 THUMB CYL BRACKET				
747059	W/O Thumb Bracket			No Charge
747058	Thumb Bracket			\$443.00
SD_X6100 ARM				
747320	Short Arm - 747320 Please refer to the standard pages for arm lengths			No Charge
SD_X6206 LINKAGE				
747062	Linkage With Hook			No Charge
747063	Linkage Without Hook			(\$61.00)
SD_X6207 HYDR Q/C PROV.				
747065	W/O Q/C Provision			No Charge
747064	Hydraulic Q/C Provision Includes switch & hydraulic lines to end of arm			\$500.00



**E30C COMPACT EXCAVATOR CANOPY
US PRICE LIST**

SD_X6210 BEACON

		XX6210X	W/O Beacon			No Charge
		747070	Beacon			\$280.00



**E30C COMPACT EXCAVATOR CANOPY
US PRICE LIST**

Factory Supplied Attachments

Order Code	Description	Weight	Factory Data	List Price
------------	-------------	--------	--------------	------------

KLAC Buckets & Coupler

48094116	12"HD Bucket (KLAC Coupler) Always reference model lifting capacities when configuring units with attachments.	143 LB		\$523.00
48094117	18"HD Bucket (KLAC Coupler) Always reference model lifting capacities when configuring units with attachments.	176 LB		\$625.00
48094118	24"HD Bucket (KLAC Coupler) Always reference model lifting capacities when configuring units with attachments.	209 LB		\$800.00
47422632	KLAC Base Plate (To adapt other buckets) Always reference model lifting capacities when configuring units with attachments.	20 LB		\$285.00
48057633	Coupler, KLAC Always reference model lifting capacities when configuring units with attachments.	71 LB		\$1,102.00

Pin-On/Mech. Buckets & Coupler

48057611	12"HD Bucket (Mech/Hyd Coupler) Always reference model lifting capacities when configuring units with attachments.	121 LB		\$521.00
48057612	18"HD Bucket (Mech/Hyd Coupler) Always reference model lifting capacities when configuring units with attachments.	154 LB		\$623.00
48057613	24"HD Bucket (Mech/Hyd Coupler)	185 LB		\$797.00
48057615	Coupler, Mechanical Pin-Grabber Only compatible with C-Series bucket Always reference model lifting capacities when configuring units with attachments.	95 LB		\$1,538.00
47457879	Dead Pin Kit Required when ordering more than 1 bucket with a Pin-Grabber Coupler 1 SET INCLUDED W/MECH AND HYD COUPLERS	8 LB		\$178.00
48094307	Coupler,Hydraulic Pin-Grabber Compatible with both the B and C series buckets. When used with a B-series bucket, it requires the removal of the spacer plates. Includes 1 set of dead pins for installation into a single bucket Always reference model lifting capacities when configuring units with attachments.	99 LB		\$3,386.00
48190704	12" Bucket 1-POS PIN-ON			\$773.00
48190705	18" Bucket 1-POS PIN-ON			\$856.00
48190706	24" Bucket 1 POS PIN-ON			\$998.00



**E30C COMPACT EXCAVATOR CANOPY
US PRICE LIST**

Thumbs

	48058019	Thumb Kit, Hyd., Short Tines FOR E26C USE W/DIRECT FIT, KLAC BUCKETS AND MECH PIN-GRABBER COUPLER FOR E30C USE WITH KLAC BUCKETS AND MECH PIN-GRABBER COUPLER Always reference model lifting capacities when configuring units with attachments.	150 LB		\$2,249.00
	48094114	Thumb Kit, Hyd., Long Tines For E26C - USE W/HYD PIN-GRABBER COUPLER ONLY For E30C - USE WITH PIN-ON BUCKETS & HYD PIN-GRABBER COUPLER Always reference model lifting capacities when configuring units with attachments.	150 LB		\$2,249.00



**E30C COMPACT EXCAVATOR CAB
US PRICE LIST**

Standard Equipment

ENGINE:

Kubota D1305 3 Cyl. water-cooled, mechanical injection diesel
77.0 CID (1.261L)
Tier 4 Final
Glow plugs
Horsepower:
Gross 24.8 HP (18.5 kW)/2300
Net 23.2 (17.3 kW)/2300
Maximum Engine Torque:
60.0 lb ft (81.4 Nm) @ 1600 rpm
Dry type air cleaner dual element

OPERATOR PROTECTIVE STRUCTURE:

Sound Levels:

ISO 6396:2008 sound pressure level LpA=73.5dB (A)

ROPS/FOPS:

Enclosed Cab with overhead opening front window, sliding side window, lockable door, heater and defroster, radio/USB player + 2 speakers
Mechanical suspension seat, with 2" seat belt
Pilot operated joysticks for boom, arm, bucket and swing with adjustable wrist rests
Foot pedals for travel control and swing tower control

Gauges:

Engine coolant temperature and fuel level

Indicator Lights:

Engine oil pressure, coolant temperature, battery charge, low fuel warning, engine preheat, air cleaner warning, hyd. quick coupler lock, and high travel speed

ELECTRICAL:

12 Volt electrical starting system includes heavy-duty battery and starting motor
40 Amp Alternator
Battery master switch
Key start

Anti-theft-engine starting passwords
Dual 12V power plug recepticals
Front working Light
Pre-wired telematics ready

BLADE:

Hydraulically controlled dozer blade

UNDERCARRIAGE:

Rubber tracks
Track pad width: 11.8" (250 mm)
Track length: 6'6" (1910 mm)
Gradeability: 30 degrees
Ground clearance: 11" (290 mm)

TRACK DRIVE:

Two speed auto shift travel
Fully hydrostatic drive system
Track tension adjustment (grease type)
Sealed and lubricated track

HYDRAULICS:

Control pattern selector valve
Hydraulic oil filter
Total Auxiliary Flow:
12.5 gpm @ 2,538 psi (47.2 L/min @ 175 bar)
Main Pump: 3,130 PSI
Auxiliary piping capped at end of dipper
Proportional auxiliary hydraulic flow control
Selector valve for single or two-way aux flow
Large capacity hydraulic oil cooler
Cylinder rod protection covers -Dozer & Boom

UPPER:

Standard Arm: 3'8" (1.12 m)
Boom: 6'8" (1.95 m)
Boom Swing: 75° left / 50° right
Zero Tail Swing
Bucket Linkage with lifting hook

MISCELLANEOUS:

Operating weight:
Cab, short arm - 6,350 lbs (2655 kg)



**E30C COMPACT EXCAVATOR CAB
US PRICE LIST**

Standard Equipment

All weights are with rubber tracks, no quick coupler, bucket, fluids, full of fuel, and 165lb operator
Additional Counterweight - 286 lbs
Warranty - Base warranty Coverage:

2-Year/3,000-Hour Full Machine Limited Warranty
SHIPPING POINT:
Port of Entry



**E30C COMPACT EXCAVATOR CAB
US PRICE LIST**

Models

COMMERCIAL MODEL	VERSION	Weight	Factory Data	List Price
E30C	Cab	5,520 LB		\$49,740.00
Includes the following Equipment Additional Counterweight. (747996) \$207.00				

Packet	Description	Weight	Factory Data	List Price
E30C CAB Standard Arm				\$693.00
SD_05136-RADIO OPTION	Radio and USB			
SD_30180-TRAVEL ALARM	Travel Alarm			
SD_47181-OPERATOR'S MANUAL	Operators Manual - English			
SD_X5183-AIR COND/HEATER	Heater Only			
SD_X5406-1ST AUX HYD TWO WAYS	2Way Aux Joystick Proportional			
SD_X5414-AUX WORKLIGHTS CAB	Working Lights			
SD_X5430-THUMB CYL BRACKET	W/O Thumb Bracket			
SD_X6100-ARM	Short Arm - 747320			
SD_X6206-LINKAGE	Linkage With Hook			
SD_X6207-HYDR Q/C PROV.	W/O Q/C Provision			
SD_X6210-BEACON	Beacon			



**E30C COMPACT EXCAVATOR CAB
US PRICE LIST**

Factory Supplied Options

Order Code	Description	Weight	Factory Data	List Price
SD_10181 CRAWLER TYPE				
9552700	Rubber Tracks One-piece molded rubber belt track with a steel cable core. The entire track must be replaced at time of service. Select this track for general use on soils and hard surfaces.			No Charge
SD_30180 TRAVEL ALARM				
747453	Travel Alarm			
	if BRAND is New Holland CE			\$207.00
747994	W/O Travel Alarm			No Charge
SD_47181 OPERATOR'S MANUAL				
747480	Operators Manual - English			No Charge
747961	Operators Manual - French			No Charge
747464	Operators Manual- Spanish			No Charge
SD_X5405 2ND AUX. CIRCUIT				
747999	W/O 2nd Aux 2-Way Proportional			No Charge
747053	2nd Aux 2-Way Proportional			\$1,633.00
SD_X5406 1ST AUX HYD TWO WAYS				
747054	2Way Aux Pedal Proportional			No Charge
747055	2Way Aux Joystick Proportional			No Charge
SD_X5430 THUMB CYL BRACKET				
747059	W/O Thumb Bracket			No Charge
747058	Thumb Bracket			\$443.00
SD_X6100 ARM				
747320	Short Arm - 747320 Please refer to the standard pages for arm lengths			No Charge
SD_X6206 LINKAGE				
747062	Linkage With Hook			No Charge
747063	Linkage Without Hook			(\$61.00)
SD_X6207 HYDR Q/C PROV.				
747065	W/O Q/C Provision			No Charge
747064	Hydraulic Q/C Provision Includes switch & hydraulic lines to end of arm			\$500.00



**E30C COMPACT EXCAVATOR CAB
US PRICE LIST**

SD_X6210 BEACON

		XX6210X	W/O Beacon			No Charge
		747070	Beacon			\$280.00



**E30C COMPACT EXCAVATOR CAB
US PRICE LIST**

Factory Supplied Attachments

Order Code	Description	Weight	Factory Data	List Price
------------	-------------	--------	--------------	------------

KLAC Buckets & Coupler

48094116	12"HD Bucket (KLAC Coupler) Always reference model lifting capacities when configuring units with attachments.	143 LB		\$523.00
48094117	18"HD Bucket (KLAC Coupler) Always reference model lifting capacities when configuring units with attachments.	176 LB		\$625.00
48094118	24"HD Bucket (KLAC Coupler) Always reference model lifting capacities when configuring units with attachments.	209 LB		\$800.00
47422632	KLAC Base Plate (To adapt other buckets) Always reference model lifting capacities when configuring units with attachments.	20 LB		\$285.00
48057633	Coupler, KLAC Always reference model lifting capacities when configuring units with attachments.	71 LB		\$1,102.00

Pin-On/Mech. Buckets & Coupler

48057611	12"HD Bucket (Mech/Hyd Coupler) Always reference model lifting capacities when configuring units with attachments.	121 LB		\$521.00
48057612	18"HD Bucket (Mech/Hyd Coupler) Always reference model lifting capacities when configuring units with attachments.	154 LB		\$623.00
48057613	24"HD Bucket (Mech/Hyd Coupler)	185 LB		\$797.00
48057615	Coupler, Mechanical Pin-Grabber Only compatible with C-Series bucket Always reference model lifting capacities when configuring units with attachments.	95 LB		\$1,538.00
47457879	Dead Pin Kit Required when ordering more than 1 bucket with a Pin-Grabber Coupler 1 SET INCLUDED W/MECH AND HYD COUPLERS	8 LB		\$178.00
48094307	Coupler,Hydraulic Pin-Grabber Compatible with both the B and C series buckets. When used with a B-series bucket, it requires the removal of the spacer plates. Includes 1 set of dead pins for installation into a single bucket Always reference model lifting capacities when configuring units with attachments.	99 LB		\$3,386.00
48190704	12" Bucket 1-POS PIN-ON			\$773.00
48190705	18" Bucket 1-POS PIN-ON			\$856.00
48190706	24" Bucket 1 POS PIN-ON			\$998.00



**E30C COMPACT EXCAVATOR CAB
US PRICE LIST**

Thumbs

	48058019	Thumb Kit, Hyd., Short Tines FOR E26C USE W/DIRECT FIT, KLAC BUCKETS AND MECH PIN-GRABBER COUPLER FOR E30C USE WITH KLAC BUCKETS AND MECH PIN-GRABBER COUPLER Always reference model lifting capacities when configuring units with attachments.	150 LB		\$2,249.00
	48094114	Thumb Kit, Hyd., Long Tines For E26C - USE W/HYD PIN-GRABBER COUPLER ONLY For E30C - USE WITH PIN-ON BUCKETS & HYD PIN-GRABBER COUPLER Always reference model lifting capacities when configuring units with attachments.	150 LB		\$2,249.00



**E33C COMPACT EXCAVATOR CANOPY
US PRICE LIST**

Standard Equipment

ENGINE:

Yanmar 3TNV88F-ESHYB
3 Cyl. water-cooled,
direct injection diesel
100.2 CID (1.642 L)
Tier 4 Final
Glow plugs
Horsepower:
Gross 24.4 HP (18.2 Kw)@2,200 RPM
Maximum Engine Torque:
69.4 lb ft (94.1 Nm)@1200RPM
Dry type air cleaner

OPERATOR PROTECTIVE STRUCTURE:

ROPS/FOPS:
Four post canopy design
Sound levels:
ISO 6396:2008 sound pressure level
LpA=75dB(A)
Mechanical Suspension seat, with
2" seat belt
Pilot operated joysticks for boom, arm,
bucket, and swing with adjustable
wrist rests
Foot pedals for travel control and
swing Tower control

Gauges:

Engine Coolant Temperature and Fuel
level

Indicator Lights:

Engine oil pressure, coolant
temperature, battery charge,
low fuel warning, engine preheat,
Air cleaner warning, Hyd. quick
coupler lock, and high travel speed

ELECTRICAL:

12 Volt electrical starting system
includes heavy-duty battery and
starting motor
50 Amp Alternator
Battery Master Switch
Key Start
Anti-Theft-Engine starting passwords
Dual 12V power plug recepticals
Front working Light
Auto idle feature with on/off switch

Pre-wired telematics ready

BLADE:

Hydraulically controlled dozer blade

UNDERCARRIAGE:

Rubber tracks
Track pad width: 12" (300 mm)
Track length: 7'0" (2130 mm)
Gradeability: 30 degrees
Ground Clearance: 11" (290 mm)

TRACK DRIVE:

Two speed Auto shift travel
Fully hydrostatic drive system
Track tension adjustment
(grease type)

Sealed and lubricated track

HYDRAULICS:

Control pattern selector valve
Hydraulic oil filter
Total Auxiliary Flow:
16.0 gpm @ 2,973 psi
(60.5 L/min @ 205 bar)
Main Pump: 3,270 PSI
Auxiliary piping capped at end of dipper
Proportional auxiliary hydraulic flow
control
Selector valve for single or two way
aux flow
Large capacity hydraulic oil cooler
Cylinder rod protection covers
-Dozer & Boom

UPPER:

Standard Arm: 4'3" (1.3 m)
Boom: 7'10" (2.38 m)
Boom Swing: 75° left / 50° right
Zero Tail Swing
Swing brake: disc type, spring applied
and hydraulically released
Bucket Linkage with lifting hook

MISCELLANEOUS:

Operating weight:
Canopy, short arm-6,945 lbs (3150kg)
Canopy, long arm, additional counter
weight - 7,255 lbs. (3290 Kg)
Additional Counterweight - 286 lbs
Warranty - Base warranty coverage:



**E33C COMPACT EXCAVATOR CANOPY
US PRICE LIST**

Standard Equipment

2-Year/3,000-Hour Full Machine Limited

Port of Entry

Warranty

SHIPPING POINT:



**E33C COMPACT EXCAVATOR CANOPY
US PRICE LIST**

Models

COMMERCIAL MODEL	VERSION	Weight	Factory Data	List Price
E33C	CANOPY CANOP	7,110 LB		\$48,721.00
Includes the following Equipment Additional Counterweight. (747996) \$210.00				

Packet	Description	Weight	Factory Data	List Price
E33C Standard Arm Pack				\$693.00
SD_10181-CRAWLER TYPE	Rubber Tracks			
SD_30180-TRAVEL ALARM	Travel Alarm			
SD_47181-OPERATOR'S MANUAL	Operators Manual - English			
SD_X5405-2ND AUX. CIRCUIT	W/O 2nd Aux 2-Way Proportional			
SD_X5406-1ST AUX HYD TWO WAYS	2Way Aux Joystick Proportional			
SD_X5414-AUX WORKLIGHTS CAB	Working Lights			
SD_X5430-THUMB CYL BRACKET	W/O Thumb Bracket			
SD_X6100-ARM	Short Arm - 747320			
SD_X6206-LINKAGE	Linkage With Hook			
SD_X6207-HYDR Q/C PROV.	W/O Q/C Provision			
SD_X6210-BEACON	Beacon			



**E33C COMPACT EXCAVATOR CANOPY
US PRICE LIST**

Factory Supplied Options

Order Code	Description	Weight	Factory Data	List Price
SD_10181 CRAWLER TYPE				
9552700	Rubber Tracks One-piece molded rubber belt track with a steel cable core. The entire track must be replaced at time of service. Select this track for general use on soils and hard surfaces.			No Charge
9553700	Steel Tracks Steel track chain with steel grousers/shoes. Select this track for the most aggressive traction in soils and if there is no concern for disrupting the appearance of ground conditions such as grass, asphalt or concrete. This track is intended for use on soils, but can be used on hard surfaces as well.			\$1,322.00
SD_30180 TRAVEL ALARM				
747453	Travel Alarm if BRAND is New Holland CE			\$207.00
SD_47181 OPERATOR'S MANUAL				
747480	Operators Manual - English			No Charge
747961	Operators Manual - French			No Charge
747464	Operators Manual- Spanish			No Charge
SD_X5405 2ND AUX. CIRCUIT				
747999	W/O 2nd Aux 2-Way Proportional			No Charge
747053	2nd Aux 2-Way Proportional			\$1,627.00
SD_X5406 1ST AUX HYD TWO WAYS				
747054	2Way Aux Pedal Proportional			No Charge
747055	2Way Aux Joystick Proportional			No Charge
SD_X5430 THUMB CYL BRACKET				
747059	W/O Thumb Bracket			No Charge
747058	Thumb Bracket			\$443.00
SD_X6100 ARM				
747320	Short Arm - 747320 Please refer to the standard pages for arm lengths			No Charge
SD_X6206 LINKAGE				
747063	Linkage Without Hook			(\$61.00)



**E33C COMPACT EXCAVATOR CANOPY
 US PRICE LIST**

SD_X6207 HYDR Q/C PROV.

	747065	W/O Q/C Provision			No Charge
	747064	Hydraulic Q/C Provision Includes switch & hydraulic lines to end of arm			\$500.00

SD_X6210 BEACON

	XX6210X	W/O Beacon			No Charge
	747070	Beacon			\$280.00



**E33C COMPACT EXCAVATOR CANOPY
US PRICE LIST**

Factory Supplied Attachments

Order Code	Description	Weight	Factory Data	List Price
------------	-------------	--------	--------------	------------

KLAC Buckets & Coupler

47422654	12"HD Bucket (KLAC Coupler) Always reference model lifting capacities when configuring units with attachments.	189 LB		\$1,008.00
47422655	18"HD Bucket (KLAC Coupler) Always reference model lifting capacities when configuring units with attachments.	223 LB		\$1,091.00
47422656	24"HD Bucket (KLAC Coupler) Always reference model lifting capacities when configuring units with attachments. On model E33C- For best performance this size bucket is intended for usage w/o a thumb.	267 LB		\$1,233.00
47422660	KLAC Base Plate (To adapt other buckets) Always reference model lifting capacities when configuring units with attachments.	31 LB		\$348.00
47873455	ATTACHMENT, RIPPER TOOTH, Always reference model lifting capacities when configuring units with attachments.	220 LB		\$929.00
48057634	Coupler, KLAC Always reference model lifting capacities when configuring units with attachments.	43 LB		\$1,240.00

Pin-On/Mech. Buckets & Coupler

48057617	12"HD Bucket (Pin-On & Mech/Hyd Coupler) Always reference model lifting capacities when configuring units with attachments.	161 LB		\$773.00
48057619	18"HD Bucket (Pin-On & Mech/Hyd Coupler) Always reference model lifting capacities when configuring units with attachments.	205 LB		\$856.00
48057620	24"HD Bucket (Pin-On & Mech/Hyd Coupler) Always reference model lifting capacities when configuring units with attachments. On model E33C- For best performance this size bucket is intended for usage w/o a thumb.	247 LB		\$998.00
48057623	Coupler, Mechanical Pin-Grabber Compatible with both B & C - series buckets Always reference model lifting capacities when configuring units with attachments.	43 LB		\$1,545.00
48057624	Dead Pin Kit (for additional buckets) Required when ordering more than 1 bucket with a Pin-Grabber Coupler 1 SET INCLUDED W/MECH AND HYD COUPLERS	11 LB		\$197.00
48057638	Ripper Tooth Pin-On Always reference model lifting capacities when configuring units with attachments.	220 LB		\$929.00
48058013	Coupler,Hydraulic Pin-Grabber Compatible with both the B & C - series buckets Includes 1 set of dead pins for installation into a single bucket Always reference model lifting capacities when configuring units with attachments.	132 LB		\$3,386.00



**E33C COMPACT EXCAVATOR CANOPY
US PRICE LIST**

Thumbs

	48059646	Thumb Kit, Hyd., Short Tines USE W/DIRECT FIT AND KLAC BUCKETS Always reference model lifting capacities when configuring units with attachments.	150 LB		\$2,350.00
	48058020	Thumb Kit, Hyd., Long Tines USE W/MECH AND HYD PIN-GRABBER COUPLERS Always reference model lifting capacities when configuring units with attachments.	200 LB		\$2,350.00



**E37C COMPACT EXCAVATOR CANOPY
US PRICE LIST**

Standard Equipment

ENGINE:

Yanmar 3TNV88F-ESHYB
3 Cyl. water-cooled
direct injection diesel
100.2 CID (1.642L)
Tier 4 Final
Glow plugs
Horsepower:
Gross 24.4 HP (18.2 Kw)@2,200 RPM
Maximum Engine Torque:
69.4 lb ft (94.1 Nm)@1200 RPM
Dry type air cleaner

OPERATOR PROTECTIVE STRUCTURE:

ROPS/FOPS:

Four post canopy design
Sound levels:
ISO 6396:2008 sound pressure #level
LpA=76dB (A)
Mechanical Suspension seat, with
2" seat belt
Pilot operated joysticks for boom, arm,
bucket, and swing with adjustable
wrist rests
Foot pedals for travel control and
swing Tower control

Gauges:

Engine Coolant Temp and Fuel level

Indicator Lights:

Engine oil pressure, coolant
temperature, battery
charge, low fuel warning, engine
preheat, Air cleaner warning,
Hyd. quick coupler
lock, and high travel speed

ELECTRICAL:

12 Volt electrical starting system
includes heavy-duty battery and
starting motor
55 Amp Alternator
Battery Master Switch
Key Start
Anti-Theft-Engine starting passwords
Dual 12V power plug recepticals
Front & rear working Lights
Auto idle feature with on/off switch

Pre-wired telematics ready

BLADE:

Hydraulically controlled dozer blade

UNDERCARRIAGE:

Rubber tracks
Track pad width: 12" (300 mm)
Track length: 7'0" (2130 mm)
Gradeability: 30 degrees
Ground Clearance: 11" (290 mm)

TRACK DRIVE:

Two speed travel
Fully hydrostatic drive system
Track tension adjustment
(grease type)

Sealed and lubricated track

HYDRAULICS:

Control pattern selector valve
Hydraulic oil filter
Total Auxiliary Flow:
16.0 gpm @ 2,973 psi
(60.5 L/min @ 205 bar)
Main Pump: 3,270 PSI
Auxiliary piping capped at end of dipper
Proportional auxillary hydraulic flow
control
Selector valve for single or two way
aux flow
Large capacity hydraulic oil cooler
Cylinder rod protection covers
-Dozer & Boom

UPPER:

Standard Arm: 4'3" (1.3 m)
Optional Long Arm: 5'3" (1.6 m)
Boom: 8'2" (2.5 m)
Boom Swing: 75° left / 50° right
Zero Tail Swing
Swing brake: disc type, spring applied
and hydraulically released
Bucket Linkage with lifting hook

MISCELLANEOUS:

Operating weight:
Canopy, short arm-7,830 lbs(3,550Kg)
Canopy, long arm additional
counterweight-8,180 lbs. (3710 Kg.)
Additional Counterweight - 330 lbs



**E37C COMPACT EXCAVATOR CANOPY
US PRICE LIST**

Standard Equipment

Warranty - Base warranty coverage:
2-Year/3,000-Hour Full Machine Limited
Warranty
SHIPPING POINT:

Port of Entry



**E37C COMPACT EXCAVATOR CANOPY
US PRICE LIST**

Models

COMMERCIAL MODEL	VERSION	Weight	Factory Data	List Price
E37C	CANOPY CANOP	7,990 LB		\$50,655.00
E37C OPTIONAL ANGLE BLAD	CANOPY CANOP	7,990 LB		\$50,655.00

Packet	Description	Weight	Factory Data	List Price
E37C Long Arm Pack				\$1467.00
SD_10181-CRAWLER TYPE	Rubber Tracks			
SD_30180-TRAVEL ALARM	Travel Alarm			
SD_40003-COUNTERWEIGHT	Additional Counterweight.			
SD_47181-OPERATOR'S MANUAL	Operators Manual - English			
SD_X5405-2ND AUX. CIRCUIT	W/O 2nd Aux 2-Way Proportional			
SD_X5406-1ST AUX HYD TWO WAYS	2Way Aux Joystick Proportional			
SD_X5414-AUX WORKLIGHTS CAB	Working Lights			
SD_X5430-THUMB CYL BRACKET	Thumb Bracket			
SD_X6100-ARM	Long Arm - 747329			
SD_X6206-LINKAGE	Linkage With Hook			
SD_X6207-HYDR Q/C PROV.	W/O Q/C Provision			
SD_X6210-BEACON	Beacon			
E37C Short Arm Pack				\$931.00
SD_10181-CRAWLER TYPE	Rubber Tracks			
SD_30180-TRAVEL ALARM	Travel Alarm			
SD_40003-COUNTERWEIGHT	Standard Counterweight.			
SD_47181-OPERATOR'S MANUAL	Operators Manual - English			
SD_X5405-2ND AUX. CIRCUIT	W/O 2nd Aux 2-Way Proportional			
SD_X5406-1ST AUX HYD TWO WAYS	2Way Aux Joystick Proportional			
SD_X5414-AUX WORKLIGHTS CAB	Working Lights			
SD_X5430-THUMB CYL BRACKET	Thumb Bracket			
SD_X6100-ARM	Short Arm - 747320			
SD_X6206-LINKAGE	Linkage With Hook			
SD_X6207-HYDR Q/C PROV.	W/O Q/C Provision			
SD_X6210-BEACON	Beacon			
Long Arm Angle Blade				\$4874.00
SD_10181-CRAWLER TYPE	Rubber Tracks			
SD_30180-TRAVEL ALARM	Travel Alarm			
SD_40003-COUNTERWEIGHT	Additional Counterweight.			
SD_47181-OPERATOR'S MANUAL	Operators Manual - English			
SD_X5405-2ND AUX. CIRCUIT	W/O 2nd Aux 2-Way Proportional			
SD_X5406-1ST AUX HYD TWO WAYS	2Way Aux Joystick Proportional			
SD_X5414-AUX WORKLIGHTS CAB	Working Lights			
SD_X5430-THUMB CYL BRACKET	Thumb Bracket			



**E37C COMPACT EXCAVATOR CANOPY
 US PRICE LIST**

Packet	Description	Weight	Factory Data	List Price
SD_X6100-ARM	Long Arm - 747329			
SD_X6105-DOZER BLADE OPTION	4-Way Angle Dozer Blade			
SD_X6206-LINKAGE	Linkage With Hook			
SD_X6207-HYDR Q/C PROV.	W/O Q/C Provision			
SD_X6210-BEACON	Beacon			



**E37C COMPACT EXCAVATOR CANOPY
US PRICE LIST**

Factory Supplied Options

Order Code	Description	Weight	Factory Data	List Price
SD_10181 CRAWLER TYPE				
9552700	Rubber Tracks One-piece molded rubber belt track with a steel cable core. The entire track must be replaced at time of service. Select this track for general use on soils and hard surfaces.			No Charge
9553700	Steel Tracks Steel track chain with steel grousers/shoes. Select this track for the most aggressive traction in soils and if there is no concern for disrupting the appearance of ground conditions such as grass, asphalt or concrete. This track is intended for use on soils, but can be used on hard surfaces as well.			\$1,322.00
SD_30180 TRAVEL ALARM				
747453	Travel Alarm			
	if BRAND is New Holland CE			\$207.00
SD_40003 COUNTERWEIGHT				
747995	Standard Counterweight.			No Charge
747996	Additional Counterweight. Additional bolt-on weight that adds: 286 lb (130 kg) on E26C & E33C models 330 lb (150 kg) on E37C models			\$210.00
SD_47181 OPERATOR'S MANUAL				
747480	Operators Manual - English			No Charge
747961	Operators Manual - French			No Charge
747464	Operators Manual- Spanish			No Charge
SD_X5405 2ND AUX. CIRCUIT				
747999	W/O 2nd Aux 2-Way Proportional			No Charge
747053	2nd Aux 2-Way Proportional			\$1,892.00
SD_X5406 1ST AUX HYD TWO WAYS				
747054	2Way Aux Pedal Proportional			No Charge
747055	2Way Aux Joystick Proportional			No Charge
SD_X5430 THUMB CYL BRACKET				
747059	W/O Thumb Bracket			No Charge
747058	Thumb Bracket			\$443.00



**E37C COMPACT EXCAVATOR CANOPY
US PRICE LIST**

SD_X6100 ARM

	747320	Short Arm - 747320 Please refer to the standard pages for arm lengths			No Charge
	747329	Long Arm - 747329 Please refer to the standard pages for arm lengths			\$327.00

SD_X6105 DOZER BLADE OPTION

	747981	4-Way Angle Dozer Blade			\$3,407.00
	XX6105X	Standard Dozer Blade			No Charge

SD_X6206 LINKAGE

	747063	Linkage Without Hook			(\$61.00)
--	--------	----------------------	--	--	-----------

SD_X6207 HYDR Q/C PROV.

	747065	W/O Q/C Provision			No Charge
	747064	Hydraulic Q/C Provision Includes switch & hydraulic lines to end of arm			\$500.00

SD_X6210 BEACON

	XX6210X	W/O Beacon			No Charge
	747070	Beacon			\$280.00



**E37C COMPACT EXCAVATOR CANOPY
US PRICE LIST**

Factory Supplied Attachments

Order Code	Description	Weight	Factory Data	List Price
------------	-------------	--------	--------------	------------

KLAC Buckets & Coupler

47422654	12"HD Bucket (KLAC Coupler) Always reference model lifting capacities when configuring units with attachments.	189 LB		\$1,008.00
47422655	18"HD Bucket (KLAC Coupler) Always reference model lifting capacities when configuring units with attachments.	223 LB		\$1,091.00
47422656	24"HD Bucket (KLAC Coupler) Always reference model lifting capacities when configuring units with attachments. On model E33C- For best performance this size bucket is intended for usage w/o a thumb.	267 LB		\$1,233.00
47422657	36"HD Bucket (KLAC Coupler) Always reference model lifting capacities when configuring units with attachments. On model E33C- For best performance this size bucket is intended for usage w/o a thumb.	348 LB		\$1,505.00
47422658	36"Ditch Bucket (KLAC Coupler) Always reference model lifting capacities when configuring units with attachments. On model E33C- For best performance this size bucket is intended for usage w/o a thumb.	315 LB		\$1,139.00
47422660	KLAC Base Plate (To adapt other buckets) Always reference model lifting capacities when configuring units with attachments.	31 LB		\$348.00
47873455	ATTACHMENT, RIPPER TOOTH, Always reference model lifting capacities when configuring units with attachments.	220 LB		\$929.00
48057634	Coupler, KLAC Always reference model lifting capacities when configuring units with attachments.	43 LB		\$1,240.00

Pin-On/Mech. Buckets & Coupler

48057617	12"HD Bucket (Pin-On & Mech/Hyd Coupler) Always reference model lifting capacities when configuring units with attachments.	161 LB		\$773.00
48057619	18"HD Bucket (Pin-On & Mech/Hyd Coupler) Always reference model lifting capacities when configuring units with attachments.	205 LB		\$856.00
48057620	24"HD Bucket (Pin-On & Mech/Hyd Coupler) Always reference model lifting capacities when configuring units with attachments. On model E33C- For best performance this size bucket is intended for usage w/o a thumb.	247 LB		\$998.00
48057621	36"HD Bucket (Pin-On & Mech/Hyd Coupler) Always reference model lifting capacities when configuring units with attachments. On model E33C- For best performance this size bucket is intended for usage w/o a thumb.	331 LB		\$1,271.00



**E37C COMPACT EXCAVATOR CANOPY
US PRICE LIST**

48057622	36"Ditch Bucket (Pin-On & M/H Coupler) Always reference model lifting capacities when configuring units with attachments. On model E33C- For best performance this size bucket is intended for usage w/o a thumb.	313 LB		\$1,054.00
48057623	Coupler, Mechanical Pin-Grabber Compatible with both B & C - series buckets Always reference model lifting capacities when configuring units with attachments.	43 LB		\$1,545.00
48057624	Dead Pin Kit (for additional buckets) Required when ordering more than 1 bucket with a Pin-Grabber Coupler 1 SET INCLUDED W/MECH AND HYD COUPLERS	11 LB		\$197.00
48057638	Ripper Tooth Pin-On Always reference model lifting capacities when configuring units with attachments.	220 LB		\$929.00
48058013	Coupler,Hydraulic Pin-Grabber Compatible with both the B & C - series buckets Includes 1 set of dead pins for installation into a single bucket Always reference model lifting capacities when configuring units with attachments.	132 LB		\$3,386.00

Thumbs

48059646	Thumb Kit, Hyd.,Short Tines USE W/DIRECT FIT AND KLAC BUCKETS Always reference model lifting capacities when configuring units with attachments.	150 LB		\$2,350.00
48058020	Thumb Kit, Hyd.,Long Tines USE W/MECH AND HYD PIN-GRABBER COUPLERS Always reference model lifting capacities when configuring units with attachments.	200 LB		\$2,350.00



**E37C COMPACT EXCAVATOR CAB
US PRICE LIST**

Standard Equipment

ENGINE:

Yanmar 3TNV88F-ESHYB
3 Cyl. water-cooled
direct injection diesel
100.2 CID (1.642L)
Tier 4 Final
Glow plugs
Horsepower:
Gross 24.4 HP (18.2 Kw)@2,200 RPM
Maximum Engine Torque:
69.4 lb ft (94.1 Nm)@1200 RPM
Dry type air cleaner

OPERATOR PROTECTIVE STRUCTURE:

ROPS/FOPS:

Enclosed Cab with Overhead opening
front window, Sliding side window,
Lockable door, Heater, defroster, air
conditioner and Radio/USB player + 2
speakers
Mechanical Suspension seat, with
2" seat belt
Pilot operated joysticks for boom, arm,
bucket, and swing with adjustable
wrist rests
Foot pedals for travel control and
swing Tower control

Gauges:

Engine Coolant Temp and Fuel level

Indicator Lights:

Engine oil pressure, coolant
temperature, battery charge, low fuel
warning, engine preheat, Air cleaner
warning, Hyd. quick coupler lock, and
high travel speed

ELECTRICAL:

12 Volt electrical starting system
includes heavy-duty battery and
starting motor
40 Amp Alternator
Battery Master Switch
Key Start
Anti-Theft-Engine starting passwords
Dual 12V power plug recepticals
Front and rear working Lights
Auto idle feature with on/off switch

Pre-wired telematics ready

BLADE:

Hydraulically controlled dozer blade

UNDERCARRIAGE:

Rubber tracks
Track pad width: 12" (300 mm)
Track length: 7'0" (2130 mm)
Gradeability: 30 degrees
Ground Clearance: 11" (290 mm)

TRACK DRIVE:

Two speed travel
Fully hydrostatic drive system
Track tension adjustment
(grease type)
Sealed and lubricated track

HYDRAULICS:

Control pattern selector valve
Hydraulic oil filter
Total Auxiliary Flow:
16.0 gpm @ 2,973 psi
(60.5 L/min @ 205 bar)
Main Pump: 3,270 PSI
Auxiliary piping capped at end of dipper
Proportional auxillary hydraulic flow
control
Selector valve for single or two way
aux flow
Large capacity hydraulic oil cooler
Cylinder rod protection covers
-Dozer & Boom

UPPER:

Standard Arm: 4'3" (1.3 m)
Optional Long Arm: 5'3" (1.6 m)
Boom: 8'2" (2.5 m)
Boom Swing: 75° left / 50° right
Zero Tail Swing
Swing brake: disc type, spring applied
and hydraulically released
Bucket Linkage with lifting hook

MISCELLANEOUS:

Operating weight:
Cab, shot arm-8140 lbs(3690 kg)
Cab, long arm, additional
counterweight-8490 lbs(3850 kg)
Additional counterweight-330lbs



**E37C COMPACT EXCAVATOR CAB
US PRICE LIST**

Standard Equipment

Warranty - Base warranty coverage:

2-Year/3,000-Hour Full Machine Limited

Warranty

SHIPPING POINT:

Port of Entry



**E37C COMPACT EXCAVATOR CAB
US PRICE LIST**

Models

COMMERCIAL MODEL	VERSION	Weight	Factory Data	List Price
E37C	Cab	8,300 LB		\$59,753.00
E37C OPTIONAL ANGLE BLAD	Cab	7,990 LB		\$59,753.00

Packet	Description	Weight	Factory Data	List Price
CAB Long Angle Blade				\$4874.00
SD_05136-RADIO OPTION	Radio and USB			
SD_10181-CRAWLER TYPE	Rubber Tracks			
SD_30180-TRAVEL ALARM	Travel Alarm			
SD_40003-COUNTERWEIGHT	Additional Counterweight.			
SD_47181-OPERATOR'S MANUAL	Operators Manual - English			
SD_X5183-AIR COND/HEATER	A/C AND HEATER			
SD_X5405-2ND AUX. CIRCUIT	W/O 2nd Aux 2-Way Proportional			
SD_X5406-1ST AUX HYD TWO WAYS	2Way Aux Joystick Proportional			
SD_X5414-AUX WORKLIGHTS CAB	Working Lights			
SD_X5430-THUMB CYL BRACKET	Thumb Bracket			
SD_X6100-ARM	Long Arm - 747329			
SD_X6105-DOZER BLADE OPTION	4-Way Angle Dozer Blade			
SD_X6206-LINKAGE	Linkage With Hook			
SD_X6207-HYDR Q/C PROV.	W/O Q/C Provision			
SD_X6210-BEACON	Beacon			
E37C CAB Long Arm				\$1467.00
SD_05136-RADIO OPTION	Radio and USB			
SD_10181-CRAWLER TYPE	Rubber Tracks			
SD_30180-TRAVEL ALARM	Travel Alarm			
SD_40003-COUNTERWEIGHT	Additional Counterweight.			
SD_47181-OPERATOR'S MANUAL	Operators Manual - English			
SD_X5183-AIR COND/HEATER	A/C AND HEATER			
SD_X5405-2ND AUX. CIRCUIT	W/O 2nd Aux 2-Way Proportional			
SD_X5406-1ST AUX HYD TWO WAYS	2Way Aux Joystick Proportional			
SD_X5414-AUX WORKLIGHTS CAB	Working Lights			
SD_X5430-THUMB CYL BRACKET	Thumb Bracket			
SD_X6100-ARM	Long Arm - 747329			
SD_X6206-LINKAGE	Linkage With Hook			
SD_X6207-HYDR Q/C PROV.	W/O Q/C Provision			
SD_X6210-BEACON	Beacon			
E37C CAB Short Arm				\$931.00
SD_05136-RADIO OPTION	Radio and USB			
SD_10181-CRAWLER TYPE	Rubber Tracks			
SD_30180-TRAVEL ALARM	Travel Alarm			
SD_40003-COUNTERWEIGHT	Standard Counterweight.			



**E37C COMPACT EXCAVATOR CAB
US PRICE LIST**

Packet	Description	Weight	Factory Data	List Price
SD_47181-OPERATOR'S MANUAL	Operators Manual - English			
SD_X5183-AIR COND/HEATER	A/C AND HEATER			
SD_X5405-2ND AUX. CIRCUIT	W/O 2nd Aux 2-Way Proportional			
SD_X5406-1ST AUX HYD TWO WAYS	2Way Aux Joystick Proportional			
SD_X5414-AUX WORKLIGHTS CAB	Working Lights			
SD_X5430-THUMB CYL BRACKET	Thumb Bracket			
SD_X6100-ARM	Short Arm - 747320			
SD_X6206-LINKAGE	Linkage With Hook			
SD_X6207-HYDR Q/C PROV.	W/O Q/C Provision			
SD_X6210-BEACON	Beacon			



**E37C COMPACT EXCAVATOR CAB
US PRICE LIST**

Factory Supplied Options

Order Code	Description	Weight	Factory Data	List Price
SD_10181 CRAWLER TYPE				
	9552700 Rubber Tracks One-piece molded rubber belt track with a steel cable core. The entire track must be replaced at time of service. Select this track for general use on soils and hard surfaces.			No Charge
	9553700 Steel Tracks Steel track chain with steel grousers/shoes. Select this track for the most aggressive traction in soils and if there is no concern for disrupting the appearance of ground conditions such as grass, asphalt or concrete. This track is intended for use on soils, but can be used on hard surfaces as well.			\$1,322.00
SD_30180 TRAVEL ALARM				
	747453 Travel Alarm			
	if BRAND is New Holland CE			\$207.00
SD_40003 COUNTERWEIGHT				
	747995 Standard Counterweight.			No Charge
	747996 Additional Counterweight. Additional bolt-on weight that adds: 286 lb (130 kg) on E26C & E33C models 330 lb (150 kg) on E37C models			\$210.00
SD_47181 OPERATOR'S MANUAL				
	747480 Operators Manual - English			No Charge
	747961 Operators Manual - French			No Charge
	747464 Operators Manual- Spanish			No Charge
SD_X5405 2ND AUX. CIRCUIT				
	747999 W/O 2nd Aux 2-Way Proportional			No Charge
	747053 2nd Aux 2-Way Proportional			\$1,892.00
SD_X5406 1ST AUX HYD TWO WAYS				
	747054 2Way Aux Pedal Proportional			No Charge
	747055 2Way Aux Joystick Proportional			No Charge
SD_X5430 THUMB CYL BRACKET				
	747059 W/O Thumb Bracket			No Charge
	747058 Thumb Bracket			\$443.00



**E37C COMPACT EXCAVATOR CAB
US PRICE LIST**

SD_X6100 ARM

	747320	Short Arm - 747320 Please refer to the standard pages for arm lengths			No Charge
	747329	Long Arm - 747329 Please refer to the standard pages for arm lengths			\$327.00

SD_X6105 DOZER BLADE OPTION

	747981	4-Way Angle Dozer Blade			\$3,407.00
	XX6105X	Standard Dozer Blade			No Charge

SD_X6206 LINKAGE

	747063	Linkage Without Hook			(\$61.00)
--	--------	----------------------	--	--	-----------

SD_X6207 HYDR Q/C PROV.

	747065	W/O Q/C Provision			No Charge
	747064	Hydraulic Q/C Provision Includes switch & hydraulic lines to end of arm			\$500.00

SD_X6210 BEACON

	XX6210X	W/O Beacon			No Charge
	747070	Beacon			\$280.00



**E37C COMPACT EXCAVATOR CAB
US PRICE LIST**

Factory Supplied Attachments

Order Code	Description	Weight	Factory Data	List Price
------------	-------------	--------	--------------	------------

KLAC Buckets & Coupler

47422654	12"HD Bucket (KLAC Coupler) Always reference model lifting capacities when configuring units with attachments.	189 LB		\$1,008.00
47422655	18"HD Bucket (KLAC Coupler) Always reference model lifting capacities when configuring units with attachments.	223 LB		\$1,091.00
47422656	24"HD Bucket (KLAC Coupler) Always reference model lifting capacities when configuring units with attachments. On model E33C- For best performance this size bucket is intended for usage w/o a thumb.	267 LB		\$1,233.00
47422657	36"HD Bucket (KLAC Coupler) Always reference model lifting capacities when configuring units with attachments. On model E33C- For best performance this size bucket is intended for usage w/o a thumb.	348 LB		\$1,505.00
47422658	36"Ditch Bucket (KLAC Coupler) Always reference model lifting capacities when configuring units with attachments. On model E33C- For best performance this size bucket is intended for usage w/o a thumb.	315 LB		\$1,139.00
47422660	KLAC Base Plate (To adapt other buckets) Always reference model lifting capacities when configuring units with attachments.	31 LB		\$348.00
47873455	ATTACHMENT, RIPPER TOOTH, Always reference model lifting capacities when configuring units with attachments.	220 LB		\$929.00
48057634	Coupler, KLAC Always reference model lifting capacities when configuring units with attachments.	43 LB		\$1,240.00

Pin-On/Mech. Buckets & Coupler

48057617	12"HD Bucket (Pin-On & Mech/Hyd Coupler) Always reference model lifting capacities when configuring units with attachments.	161 LB		\$773.00
48057619	18"HD Bucket (Pin-On & Mech/Hyd Coupler) Always reference model lifting capacities when configuring units with attachments.	205 LB		\$856.00
48057620	24"HD Bucket (Pin-On & Mech/Hyd Coupler) Always reference model lifting capacities when configuring units with attachments. On model E33C- For best performance this size bucket is intended for usage w/o a thumb.	247 LB		\$998.00
48057621	36"HD Bucket (Pin-On & Mech/Hyd Coupler) Always reference model lifting capacities when configuring units with attachments. On model E33C- For best performance this size bucket is intended for usage w/o a thumb.	331 LB		\$1,271.00



**E37C COMPACT EXCAVATOR CAB
US PRICE LIST**

	48057622	36"Ditch Bucket (Pin-On & M/H Coupler) Always reference model lifting capacities when configuring units with attachments. On model E33C- For best performance this size bucket is intended for usage w/o a thumb.	313 LB		\$1,054.00
	48057623	Coupler, Mechanical Pin-Grabber Compatible with both B & C - series buckets Always reference model lifting capacities when configuring units with attachments.	43 LB		\$1,545.00
	48057624	Dead Pin Kit (for additional buckets) Required when ordering more than 1 bucket with a Pin-Grabber Coupler 1 SET INCLUDED W/MECH AND HYD COUPLERS	11 LB		\$197.00
	48057638	Ripper Tooth Pin-On Always reference model lifting capacities when configuring units with attachments.	220 LB		\$929.00
	48058013	Coupler,Hydraulic Pin-Grabber Compatible with both the B & C - series buckets Includes 1 set of dead pins for installation into a single bucket Always reference model lifting capacities when configuring units with attachments.	132 LB		\$3,386.00

Thumbs

	48059646	Thumb Kit, Hyd.,Short Tines USE W/DIRECT FIT AND KLAC BUCKETS Always reference model lifting capacities when configuring units with attachments.	150 LB		\$2,350.00
	48058020	Thumb Kit, Hyd.,Long Tines USE W/MECH AND HYD PIN-GRABBER COUPLERS Always reference model lifting capacities when configuring units with attachments.	200 LB		\$2,350.00



**E57C COMPACT EXCAVATOR
US PRICE LIST**

Standard Equipment

ENGINE:

Yanmar 4TNV98C
4 Cyl. water-cooled,
electronic common rail diesel
203 CID (3.319L)
Tier 4 Final
Glow plugs
Horsepower:
Gross 66.9 HP (49.9 Kw)@2,400 RPM
Maximum Engine Torque:
173.7 lb ft (235.4 Nm)@1550 RPM
Dry type air cleaner

exhaust temperature

ELECTRICAL:

12 Volt electrical starting system
includes heavy-duty battery and
starting motor
60 Amp Alternator
Battery master switch
Key start
Anti-theft-engine starting passwords
Dual 12V power plug recepticals
Front working light
Auto idle feature with on/off switch
Pre-wired telematics ready

OPERATOR PROTECTIVE

STRUCTURE:

ROPS/FOPS:

Enclosed cab with overhead
opening front window, sliding side
window, lockable door, heater,
defroster and air conditioner,
radio/USB player + 2 speakers
bluetooth with remote control and
5.7" color LCD display screen
Sound levels:
ISO 6396:2008 sound pressure #level
LpA=76bB(A)
Mechanical suspension seat, with seat
belt, and seat heater
Pilot operated joysticks for boom, arm
bucket, and swing with adjustable
wrist rests
Foot pedals for travel control and
swing tower control
Gauges: Engine coolant temperature,
hydraulic oil temperature,
and fuel level
Indicator Lights: Hydraulic oil temp,
Air cleaner, engine stop, check
engine, water in fuel, battery
charging, emergency warning, low
fuel level, engine coolant
temperature, engine oil
pressure, DPF regeneration inhibit
warning and regeneration
acknowledge, DPF warning, and high

BLADE:

Hydraulically controlled dozer blade

UNDERCARRIAGE:

Rubber tracks
Track pad width: 15" (380 mm)
Track length: 8'4" (2530 mm)
Gradeability: 35 degrees
Ground clearance: 1'3" (380 mm)

TRACK DRIVE:

Two speed travel
Fully hydrostatic drive system
Track tension adjustment
(grease type)
Sealed and lubricated track

HYDRAULICS:

Control pattern selector valve
Hydraulic oil filter
Total Auxiliary Flow:
25.4 gpm @ 3,191 psi
(96.2 L/min @ 220 bar)
Main Pump: 3,130 PSI
Auxiliary valves and piping
for independent way aux and two
way aux circuits.
Proportional auxiliary hydraulic flow
control
Large capacity hydraulic oil cooler



**E57C COMPACT EXCAVATOR
US PRICE LIST**

Standard Equipment

Cylinder rod protection covers
-Boom

UPPER:

Standard Arm w/Thumb bracket:
5'3" (1.6 m)

Optional Long Arm w/Thumb bracket:
6'3" (1.9 m)

Boom: 9'10" (2.5 m)

Boom Swing: 80° left / 50° right

Conventional Swing Radius

Swing brake: disc type, spring applied
and hydraulically released

Bucket linkage with lifting hook

MISCELLANEOUS:

Operating weight:

Cab, short arm with Heavy
Counterweight - 12,680 lbs
(5750 kg)

Cab, long arm with Heavy
Counterweight - 12,720 lbs
(5770 kg)

Heavy Counterweight - 220 lbs

Warranty - Base warranty coverage:

2-Year/3,000-Hour Full Machine Limited

Warranty

SHIPPING POINT:

Port of Entry



**E57C COMPACT EXCAVATOR
US PRICE LIST**

Models

COMMERCIAL MODEL	Weight	Factory Data	List Price
E57C	12,050 LB		\$81,996.00
Includes the following Equipment Additional Counterweight (747084)		\$850.00	

Packet	Description	Weight	Factory Data	List Price
E57C CAB Long Arm				\$1217.00
SD_10181-CRAWLER TYPE	Rubber Tracks 400MM			
SD_30180-TRAVEL ALARM	Travel Alarm			
SD_47181-OPERATOR'S MANUAL	Operators Manual - English			
SD_X5405-2ND AUX. CIRCUIT	W/O 2nd Aux 2-Way Proportional			
SD_X5407-1ST AUX HYD CIRCUIT	2Way Aux Joystick Proportional			
SD_X5414-AUX WORKLIGHTS CAB	Working Lights			
SD_X6100-ARM	Arm Long w/Thumb Bracket			
SD_X6206-LINKAGE	Linkage With Hook			
SD_X6207-HYDR Q/C PROV.	W/O Q/C Provision			
SD_X6210-BEACON	Beacon			
SD_X9908-CAMERA	W/O Rear View Camera			
E57C CAB Short Arm				\$305.00
SD_10181-CRAWLER TYPE	Rubber Tracks 400MM			
SD_30180-TRAVEL ALARM	Travel Alarm			
SD_47181-OPERATOR'S MANUAL	Operators Manual - English			
SD_X5405-2ND AUX. CIRCUIT	W/O 2nd Aux 2-Way Proportional			
SD_X5407-1ST AUX HYD CIRCUIT	2Way Aux Joystick Proportional			
SD_X5414-AUX WORKLIGHTS CAB	Working Lights			
SD_X6100-ARM	Arm Short w/Thumb Bracket			
SD_X6206-LINKAGE	Linkage With Hook			
SD_X6207-HYDR Q/C PROV.	W/O Q/C Provision			
SD_X6210-BEACON	Beacon			
SD_X9908-CAMERA	W/O Rear View Camera			



**E57C COMPACT EXCAVATOR
US PRICE LIST**

Factory Supplied Options

Order Code	Description	Weight	Factory Data	List Price
SD_10181 CRAWLER TYPE				
9552610	Steel Tracks 450 MM Steel track chain with steel grousers/shoes. Select this track for the most aggressive traction in soils and if there is no concern for disrupting the appearance of ground conditions such as grass, asphalt or concrete. This track is intended for use on soils, but can be used on hard surfaces as well.			\$2,320.00
9552612	Steel w/Pads 400 MM Steel track chain with steel grousers/shoes and bolt on rubber track pads. Each rubber track pad can be individually replaced or removed independently from the steel grouser/shoe. Select this option to gain traction on hard surfaces such as asphalt or concrete and to help protect their surface finish with the rubber track pads attached. All of the rubber track pads can be removed to perform as an all steel track as desired.			\$4,241.00
9552613	Steel w/Pad Hole 400 Steel track chain with steel grousers/shoes that have holes to accept bolt-on rubber track pads. Select this track for the most aggressive traction in soils and if there is no concern for disrupting the appearance of ground conditions such as grass, asphalt or concrete. For added traction on hard surfaces such as asphalt or concrete and to help protect their surface finish it is recommended to use bolt on rubber track pads.			\$2,200.00
9552710	Rubber Link Tracks 400MM Steel track chain with molded rubber grousers/shoes. These are also called hybrid tracks or roadliner tracks. Each grouser/shoe has a steel core completely molded in rubber and can be individually replaced since they are bolted to a steel chain. This track will offer the stability of a steel track with the surface protection of a rubber track pad.			\$11,986.00



**E57C COMPACT EXCAVATOR
US PRICE LIST**

	9552711	Rubber Tracks 400MM One-piece molded rubber belt track with a steel cable core. The entire track must be replaced at time of service. Select this track for general use on soils and hard surfaces.			No Charge
--	---------	---	--	--	-----------

SD_30180 TRAVEL ALARM

	747994	W/O Travel Alarm			No Charge
	747453	Travel Alarm			
		if BRAND is New Holland CE			\$305.00

SD_47181 OPERATOR'S MANUAL

	747480	Operators Manual - English			No Charge
	747961	Operators Manual - French			No Charge
	747464	Operators Manual- Spanish			No Charge

SD_X5202 TRACK GUIDE

	747096	Full Track Guide Full track guides for steel tracks and steel tracks with bolt on rubber track pads only			\$676.00
	747097	3-Piece Track Guide 3-piece track guides for steel tracks and steel tracks with bolt on rubber track pads only			No Charge
	747128	W/O TRACK GUIDE			No Charge

SD_X5405 2ND AUX. CIRCUIT

	747999	W/O 2nd Aux 2-Way Proportional			No Charge
	747053	2nd Aux 2-Way Proportional			\$2,641.00

SD_X5407 1ST AUX HYD CIRCUIT

	747122	2Way Aux Joystick Proportional			No Charge
	747123	2Way Aux Pedal Proportional			No Charge

SD_X6100 ARM

	747078	Arm Short w/Thumb Bracket			No Charge
	747079	Arm Long w/Thumb Bracket			\$912.00

SD_X6206 LINKAGE

	747063	Linkage Without Hook			(\$140.00)
--	--------	----------------------	--	--	------------

SD_X6207 HYDR Q/C PROV.

	747064	Hydraulic Q/C Provision Includes switch & hydraulic lines to end of arm			\$641.00
	747065	W/O Q/C Provision			No Charge

SD_X9908 CAMERA

	747089	W/O Rear View Camera			No Charge
	747090	Rear View Camera			\$593.00



**E57C COMPACT EXCAVATOR
US PRICE LIST**

Factory Supplied Attachments

Order Code	Description	Weight	Factory Data	List Price
------------	-------------	--------	--------------	------------

KLAC Buckets & Coupler

47422702	12"HD Bucket (KLAC Coupler) Always reference model lifting capacities when configuring units with attachments	220 LB		\$1,165.00
47422703	18"HD Bucket (KLAC Coupler) Always reference model lifting capacities when configuring units with attachments	256 LB		\$1,236.00
47422704	24"HD Bucket (KLAC Coupler) Always reference model lifting capacities when configuring units with attachments	309 LB		\$1,378.00
47422705	36"HD Bucket (KLAC Coupler) Always reference model lifting capacities when configuring units with attachments	408 LB		\$1,729.00
47422658	36"Ditch Bucket (KLAC Coupler) Always reference model lifting capacities when configuring units with attachments	315 LB		\$1,139.00
47422660	KLAC Base Plate (To adapt other buckets) Always reference model lifting capacities when configuring units with attachments	31 LB		\$348.00
47873455	ATTACHMENT, RIPPER TOOTH, Always reference model lifting capacities when configuring units with attachments	220 LB		\$929.00
48057636	Coupler, KLAC Always reference model lifting capacities when configuring units with attachments	55 LB		\$1,278.00
47872281	36"Cemetery Bucket (KLAC Coupler) Always reference model lifting capacities when configuring units with attachments	310 LB		\$1,200.00

Pin-On/Mech. Buckets & Coupler

48057625	12"HD Bucket (Pin-On & Mech/Hyd Coupler) Always reference model lifting capacities when configuring units with attachments	190 LB		\$930.00
48057626	18"HD Bucket (Pin-On & Mech/Hyd Coupler) Always reference model lifting capacities when configuring units with attachments	240 LB		\$1,002.00
48057627	24"HD Bucket (Pin-On & Mech/Hyd Coupler) Always reference model lifting capacities when configuring units with attachments	291 LB		\$1,143.00
48057628	36"HD Bucket (Pin-On & Mech/Hyd Coupler) Always reference model lifting capacities when configuring units with attachments	388 LB		\$1,408.00
48057629	36"Ditch Bucket (Pin-On & M/H Coupler) Always reference model lifting capacities when configuring units with attachments	313 LB		\$1,056.00
48057637	36"Cemetery Bucket (Pin-On & M/H Coupler) Always reference model lifting capacities when configuring units with attachments	305 LB		\$1,200.00



**E57C COMPACT EXCAVATOR
US PRICE LIST**

	48057630	Coupler, Mechanical Pin-Grabber Only compatible with C-Series buckets Includes 1 set of dead pins for installation into a single bucket Always reference model lifting capacities when configuring units with attachments.	74 LB		\$1,545.00
	48057631	PIN Required when ordering more than 1 bucket with a Pin-Grabber Coupler			\$209.00
	48057639	Ripper Tooth Pin-On Always reference model lifting capacities when configuring units with attachments	220 LB		\$929.00
	48058014	Coupler, Hydraulic Pin-Grabber Only compatible with C-Series buckets Includes 1 set of dead pins for installation into a single bucket Always reference model lifting capacities when configuring units with attachments	63 LB		\$3,251.00
	48082917	Coupler, B/C-Series Universal Mechanical Adapter, compatible with both B & C-Series buckets Always reference model lifting capacities when configuring units with attachments	85 LB		\$824.00

Thumbs

	48059650	Thumb Kit, Hyd., Short Tines USE W/DIRECT FIT AND KLAC BUCKETS Always reference model lifting capacities when configuring units with attachments.	250 LB		\$2,453.00
	48058021	Thumb Kit, Hyd., Long Tines USE W/MECH AND HYD PIN-GRABBER COUPLERS Always reference model lifting capacities when configuring units with attachments	250 LB		\$2,453.00



**E60C COMPACT EXCAVATOR
US PRICE LIST**

Standard Equipment

ENGINE:

Yanmar 4TNV98C
4 Cyl. water-cooled,
electronic common rail diesel
203 CID (3.319L)
Tier 4 Final
Glow plugs
Horsepower:
Gross 67.7 HP (48.3 Kw)@2,200 RPM
Maximum Engine Torque:
173.6 lb ft (235.4 Nm)@1550 RPM
Dry type air cleaner

acknowledge, DPF warning, and high
exhaust temperature

ELECTRICAL:

12 Volt electrical starting system
includes heavy-duty battery and
starting motor
60 Amp alternator
Battery master switch
Key start
Anti-theft-engine starting passwords
Dual 12V power plug recepticals
Front working light
Auto idle feature with on/off switch
Pre-wired telematics ready

OPERATOR PROTECTIVE

STRUCTURE:

ROPS/FOPS:

Enclosed cab with overhead
opening front window, sliding side
window, lockable door, heater,
defroster and air conditioner,
radio/USB player + 2 speakers
bluetooth with remote control and
5.7" color LCD display screen

Sound levels:

ISO 6396:2008 sound pressure #level
LpA=77dB(A)

Mechanical suspension seat, with seat
belt, and seat heater

Pilot operated joysticks for boom,
arm, bucket and swing with
adjustable wrist rests

Foot pedals for travel control and
swing tower control

Gauges: Engine coolant temperature,
hydraulic oil temperature,
and fuel level

Indicator Lights: Hydraulic oil temp,
air cleaner, engine stop, check
engine, water in fuel, battery
charging, emergency warning, low
fuel level, engine coolant
temperature, engine oil
pressure, DPF regeneration inhibit
warning and regeneration

BLADE:

Hydraulically controlled dozer blade

UNDERCARRIAGE:

Rubber tracks
Track pad width: 15" (380 mm)
Track length: 8'4" (2530 mm)
Gradeability: 35 degrees
Ground clearance: 1'3" (380 mm)

TRACK DRIVE:

Two speed travel
Fully hydrostatic drive system
Track tension adjustment
(grease type)
Sealed and lubricated track

HYDRAULICS:

Control pattern selector valve
Hydraulic oil filter
Total Auxiliary Flow:
24.2 gpm @ 3,191 psi
(91.6 L/min @ 220 bar)
Main Pump: 3,130 PSI
Auxiliary valves and piping
for independent one way aux and
two way aux circuits.
Proportional auxiliary hydraulic flow
control
Large capacity hydraulic oil cooler



**E60C COMPACT EXCAVATOR
US PRICE LIST**

Standard Equipment

Cylinder rod protection covers
-Boom

UPPER:

Standard Arm w/Thumb bracket:
4'10" (1.48 m)
Optional Long Arm w/Thumb bracket:
6'3" (1.9 m)
Boom: 9'6" (2.9 m)
Boom Swing: 70° left / 50° right
Short Tail Swing Radius
Swing brake: disc type, spring applied
and hydraulically released
Bucket linkage with lifting hook

MISCELLANEOUS:

Operating weight:
Cab, short arm - 12,790 lbs (5800 kg)
Cab, long arm with additional
counterweight - 13,290 lbs
(6025 kg)
Additional counterweight - 440 lbs
Warranty - Base warranty coverage:
2-Year/3,000-Hour Full Machine Limited
Warranty
SHIPPING POINT:
Port of Entry



**E60C COMPACT EXCAVATOR
US PRICE LIST**

Models

COMMERCIAL MODEL	Weight	Factory Data	List Price
E60C	12,940 LB		\$85,835.00

Packet	Description	Weight	Factory Data	List Price
E60C CAB Long Arm				\$2546.00
SD_10181-CRAWLER TYPE	Rubber Tracks 400MM			
SD_30180-TRAVEL ALARM	Travel Alarm			
SD_40003-COUNTERWEIGHT	Additional Counterweight			
SD_47181-OPERATOR'S MANUAL	Operators Manual - English			
SD_X5405-2ND AUX. CIRCUIT	W/O 2nd Aux 2-Way Proportional			
SD_X5407-1ST AUX HYD CIRCUIT	2Way Aux Joystick Proportional			
SD_X5414-AUX WORKLIGHTS CAB	Working Lights			
SD_X6100-ARM	Arm Long w/Thumb Bracket			
SD_X6206-LINKAGE	Linkage With Hook			
SD_X6207-HYDR Q/C PROV.	W/O Q/C Provision			
SD_X6210-BEACON	Beacon			
SD_X9850-HYDRAULIC OIL	STD HYD OIL VG46			
SD_X9908-CAMERA	W/O Rear View Camera			
E60C CAB Short Arm				\$305.00
SD_10181-CRAWLER TYPE	Rubber Tracks 400MM			
SD_30180-TRAVEL ALARM	Travel Alarm			
SD_40003-COUNTERWEIGHT	Standard Counterweight.			
SD_47181-OPERATOR'S MANUAL	Operators Manual - English			
SD_X5405-2ND AUX. CIRCUIT	W/O 2nd Aux 2-Way Proportional			
SD_X5407-1ST AUX HYD CIRCUIT	2Way Aux Joystick Proportional			
SD_X5414-AUX WORKLIGHTS CAB	Working Lights			
SD_X6100-ARM	Arm Short w/Thumb Bracket			
SD_X6206-LINKAGE	Linkage With Hook			
SD_X6207-HYDR Q/C PROV.	W/O Q/C Provision			
SD_X6210-BEACON	Beacon			
SD_X9850-HYDRAULIC OIL	STD HYD OIL VG46			
SD_X9908-CAMERA	W/O Rear View Camera			



**E60C COMPACT EXCAVATOR
US PRICE LIST**

Factory Supplied Options

Order Code	Description	Weight	Factory Data	List Price
SD_10181 CRAWLER TYPE				
9552610	Steel Tracks 450 MM Steel track chain with steel grousers/shoes. Select this track for the most aggressive traction in soils and if there is no concern for disrupting the appearance of ground conditions such as grass, asphalt or concrete. This track is intended for use on soils, but can be used on hard surfaces as well.			\$2,320.00
9552612	Steel w/Pads 400 MM Steel track chain with steel grousers/shoes and bolt on rubber track pads. Each rubber track pad can be individually replaced or removed independently from the steel grouser/shoe. Select this option to gain traction on hard surfaces such as asphalt or concrete and to help protect their surface finish with the rubber track pads attached. All of the rubber track pads can be removed to perform as an all steel track as desired.			\$4,424.00
9552613	Steel w/Pad Hole 400 Steel track chain with steel grousers/shoes that have holes to accept bolt-on rubber track pads. Select this track for the most aggressive traction in soils and if there is no concern for disrupting the appearance of ground conditions such as grass, asphalt or concrete. For added traction on hard surfaces such as asphalt or concrete and to help protect their surface finish it is recommended to use bolt on rubber track pads.			\$2,200.00
9552710	Rubber Link Tracks 400MM Steel track chain with molded rubber grousers/shoes. These are also called hybrid tracks or roadliner tracks. Each grouser/shoe has a steel core completely molded in rubber and can be individually replaced since they are bolted to a steel chain. This track will offer the stability of a steel track with the surface protection of a rubber track pad.			\$12,503.00
9552711	Rubber Tracks 400MM One-piece molded rubber belt track with a steel cable core. The entire track must be replaced at time of service. Select this track for general use on soils and hard surfaces.			No Charge



**E60C COMPACT EXCAVATOR
US PRICE LIST**

SD_30180 TRAVEL ALARM

	747994	W/O Travel Alarm			No Charge
	747453	Travel Alarm			
		if BRAND is New Holland CE			\$305.00

SD_40003 COUNTERWEIGHT

	747995	Standard Counterweight.			No Charge
	747084	Additional Counterweight This is a one-piece counterweight that will have the same appearance as the standard counterweight, but weighs 220 lb (100 kg) more. This is not an additional bolt-on weight, just a weight that weighs more than the standard for additional capacity. Tail swing radius and overhang will remain the same.			\$850.00

SD_47181 OPERATOR'S MANUAL

	747480	Operators Manual - English			No Charge
	747961	Operators Manual - French			No Charge
	747464	Operators Manual- Spanish			No Charge

SD_X5202 TRACK GUIDE

	747097	3-Piece Track Guide 3-piece track guides for steel tracks and steel tracks with bolt on rubber track pads only			No Charge
	747128	W/O TRACK GUIDE			No Charge

SD_X5405 2ND AUX. CIRCUIT

	747999	W/O 2nd Aux 2-Way Proportional			No Charge
	747053	2nd Aux 2-Way Proportional			\$2,641.00

SD_X5407 1ST AUX HYD CIRCUIT

	747122	2Way Aux Joystick Proportional			No Charge
	747123	2Way Aux Pedal Proportional			No Charge

SD_X6100 ARM

	747078	Arm Short w/Thumb Bracket			No Charge
	747079	Arm Long w/Thumb Bracket			\$912.00

SD_X6206 LINKAGE

	747063	Linkage Without Hook			(\$140.00)
--	--------	----------------------	--	--	------------

SD_X6207 HYDR Q/C PROV.

	747064	Hydraulic Q/C Provision Includes switch & hydraulic lines to end of arm			\$641.00
	747065	W/O Q/C Provision			No Charge



**E60C COMPACT EXCAVATOR
US PRICE LIST**

SD_X9908 CAMERA

	747089	W/O Rear View Camera			No Charge
	747090	Rear View Camera			\$593.00



**E60C COMPACT EXCAVATOR
US PRICE LIST**

Factory Supplied Attachments

Order Code	Description	Weight	Factory Data	List Price
------------	-------------	--------	--------------	------------

KLAC Buckets & Coupler

47422702	12"HD Bucket (KLAC Coupler) Always reference model lifting capacities when configuring units with attachments	220 LB		\$1,165.00
47422703	18"HD Bucket (KLAC Coupler) Always reference model lifting capacities when configuring units with attachments	256 LB		\$1,236.00
47422704	24"HD Bucket (KLAC Coupler) Always reference model lifting capacities when configuring units with attachments	309 LB		\$1,378.00
47422705	36"HD Bucket (KLAC Coupler) Always reference model lifting capacities when configuring units with attachments	408 LB		\$1,729.00
47422658	36"Ditch Bucket (KLAC Coupler) Always reference model lifting capacities when configuring units with attachments	315 LB		\$1,139.00
47422660	KLAC Base Plate (To adapt other buckets) Always reference model lifting capacities when configuring units with attachments	31 LB		\$348.00
47873455	ATTACHMENT, RIPPER TOOTH, Always reference model lifting capacities when configuring units with attachments	220 LB		\$929.00
48057636	Coupler, KLAC Always reference model lifting capacities when configuring units with attachments	55 LB		\$1,278.00
47872281	36"Cemetery Bucket (KLAC Coupler) Always reference model lifting capacities when configuring units with attachments	310 LB		\$1,200.00

Pin-On/Mech. Buckets & Coupler

48057625	12"HD Bucket (Pin-On & Mech/Hyd Coupler) Always reference model lifting capacities when configuring units with attachments	190 LB		\$930.00
48057626	18"HD Bucket (Pin-On & Mech/Hyd Coupler) Always reference model lifting capacities when configuring units with attachments	240 LB		\$1,002.00
48057627	24"HD Bucket (Pin-On & Mech/Hyd Coupler) Always reference model lifting capacities when configuring units with attachments	291 LB		\$1,143.00
48057628	36"HD Bucket (Pin-On & Mech/Hyd Coupler) Always reference model lifting capacities when configuring units with attachments	388 LB		\$1,408.00
48057629	36"Ditch Bucket (Pin-On & M/H Coupler) Always reference model lifting capacities when configuring units with attachments	313 LB		\$1,056.00
48057637	36"Cemetery Bucket (Pin-On & M/H Coupler) Always reference model lifting capacities when configuring units with attachments	305 LB		\$1,200.00



**E60C COMPACT EXCAVATOR
US PRICE LIST**

	48057630	Coupler, Mechanical Pin-Grabber Only compatible with C-Series buckets Includes 1 set of dead pins for installation into a single bucket Always reference model lifting capacities when configuring units with attachments.	74 LB		\$1,545.00
	48057631	PIN Required when ordering more than 1 bucket with a Pin-Grabber Coupler			\$209.00
	48057639	Ripper Tooth Pin-On Always reference model lifting capacities when configuring units with attachments	220 LB		\$929.00
	48058014	Coupler, Hydraulic Pin-Grabber Only compatible with C-Series buckets Includes 1 set of dead pins for installation into a single bucket Always reference model lifting capacities when configuring units with attachments	63 LB		\$3,251.00
	48082917	Coupler, B/C-Series Universal Mechanical Adapter, compatible with both B & C-Series buckets Always reference model lifting capacities when configuring units with attachments	85 LB		\$824.00

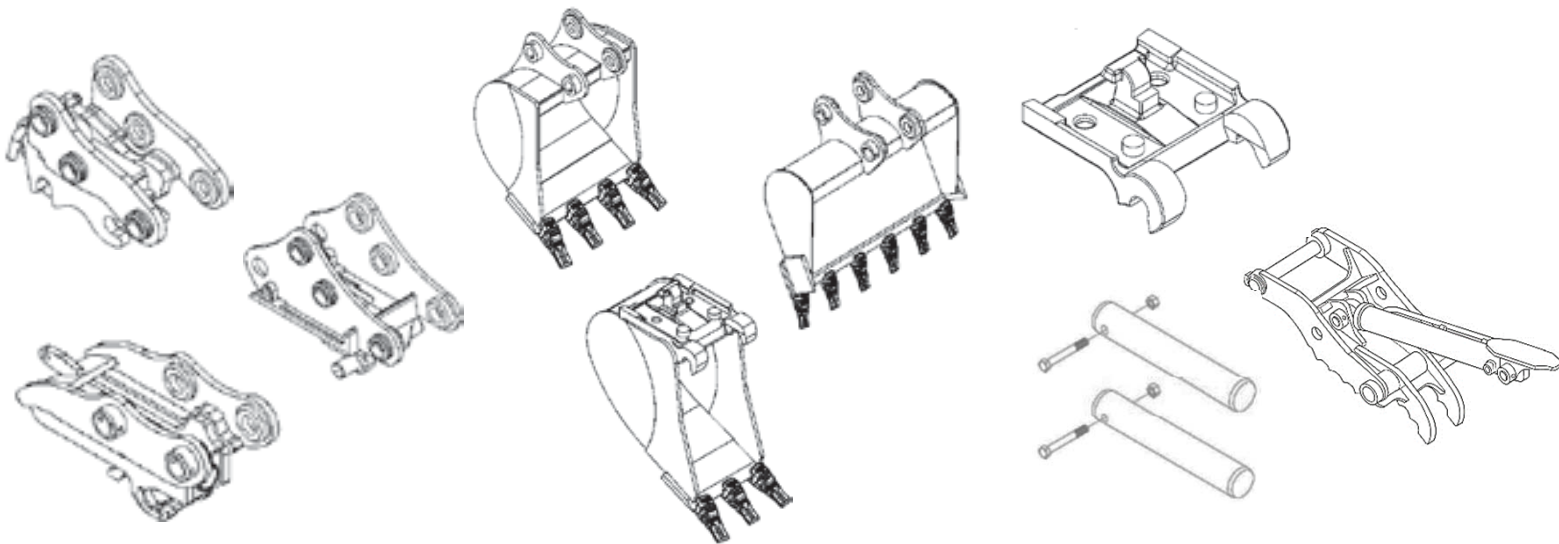
Thumbs

	48059650	Thumb Kit, Hyd., Short Tines USE W/DIRECT FIT AND KLAC BUCKETS Always reference model lifting capacities when configuring units with attachments.	250 LB		\$2,453.00
	48058021	Thumb Kit, Hyd., Long Tines USE W/MECH AND HYD PIN-GRABBER COUPLERS Always reference model lifting capacities when configuring units with attachments	250 LB		\$2,453.00

MEX DIA Kits										
Order Through Service Parts			Models							Rules
Type	Part Number	Description	E17C	E26C	E30C	E33C	E37C	E57C	E60C	Rules
Hydraulics	48126319	One Auxiliary, Two Way Joystick, Inst. Instruction p/n 48126258	x							
Hydraulics	48160505	Quick Coupler, Inst. Instruction p/n 47899431	x							
Hydraulics	48100296	2 Aux 4 Way Circuit, With Hammer Joystick, Inst. Instruction p/n 47760002		x						
Hydraulics	48126314	1 Aux 2 Way Joystick, Inst. Instruction p/n 48126244		x						Cab Only
Hydraulics	48126318	1 Aux 2 Way Joystick, Inst. Instruction p/n 48126244		x						Canopy Only
Hydraulics	48160524	Quick Coupler, Inst. Instruction p/n 47790740		x						
Hydraulics	48100298	2 Aux 4 Way Circuit, With Hammer Joystick, Inst. Instruction p/n 47760002			x					
Hydraulics	48126320	1 Aux 2 Way Joystick, Inst. Instruction p/n 48126244			x					Cab Only
Hydraulics	48126321	1 Aux 2 Way Joystick, Inst. Instruction p/n 48126244			x					Canopy Only
Hydraulics	48160531	Quick Coupler, Inst. Instruction p/n 47790740			x					
Hydraulics	48100300	2 Aux 4 Way Circuit, With Hammer Joystick, Inst. Instruction p/n 47760208				x				
Hydraulics	48126322	1 Aux 2 Way Joystick, Inst. Instruction p/n 48126244				x				
Hydraulics	48160535	Quick Coupler, Inst. Instruction p/n 47760654				x				
Hydraulics	48100302	2 Aux 4 Way Circuit, With Hammer Joystick, Inst. Instruction p/n 47760208					x			
Hydraulics	48126323	1 Aux 2 Way Joystick, Inst. Instruction p/n 48126244					x			Cab Only
Hydraulics	48126324	1 Aux 2 Way Joystick, Inst. Instruction p/n 48126244					x			Canopy Only
Hydraulics	51447899	Quick Coupler, Inst. Instruction p/n 47790740					x	x		
Hydraulics	48160582	Quick Coupler, Inst. Instruction p/n 47760654					x			
Telematics	48041548	Telematics, Inst. Instruction p/n 48045133	x							
Telematics	48041549	Telematics, Inst. Instruction p/n 48179901		x	x	x	x			
Telematics	48041551	Telematics, Inst. Instruction p/n 48045137						x		
Telematics	48071951	Telematics, Inst. Instruction p/n 48173065 (S/N Range) before 0003(NH)							x	
Telematics	48105205	Telematics, Inst. Instruction p/n 48105208 (S/N Range) after 0004(NH)							x	
Operational	48120185	Counterweight, Inst. Instruction p/n 48120189					x			
Operational	48118007	Travel Alarm, Inst. Instruction p/n 48178344					x			
Operational	48118003	Travel Alarm, Inst. Instruction p/n 48117996	x							
Operational	48118005	Travel Alarm, Inst. Instruction p/n 48178344		x	x					
Operational	48120194	Counterweight, Inst. Instruction p/n 48120189	x							
Operational	48120193	Counterweight, Inst. Instruction p/n 48120189		x						
Operational	48125640	Thumb Bracket, Inst. Instruction p/n 48125638		x	x	x	x			
Operational	48152809	Object Handling, Inst. Instruction p/n 47760691		x						Cab Only
Operational	48152810	Object Handling, Inst. Instruction p/n 47760691		x						Canopy Only
Operational	48120192	Counterweight, Inst. Instruction p/n 48120189			x					
Operational	48153033	Object Handling Without Pattern Change, Inst. Instruction p/n 47760691			x					Cab Only
Operational	48153034	Object Handling Without Pattern Change, Inst. Instruction p/n 47760691			x					Canopy Only
Operational	48118006	Travel Alarm, Inst. Instruction p/n 48178344				x				
Operational	48120191	Counterweight, Inst. Instruction p/n 48120189				x				
Operational	48153036	Object Handling, Inst. Instruction p/n 47760691				x				
Operational	48153043	Object Handling, Inst. Instruction p/n 47760691					x			Cab Only
Operational	48153044	Object Handling, Inst. Instruction p/n 47760691					x			Canopy Only
Cab	48154618	Air Conditioning, Inst. Instruction p/n 48154615					x			Cab Only



Mini Excavator Bucket, Coupler & Thumb Guide



Category: Product Guide
Series/Model: Mini Excavator/All
Document: CON-10067-18
Date: April 2018

Light Construction

This is a Sales Education Document not to be used for advertisement



Table of Contents

4	Klac Coupler/Bucket Tutorial
5	Mechanical Coupler/Bucket Tutorial
6	Hydraulic Coupler/Bucket Tutorial
7	Coupler – Breakout Loss vs. Operator Convenience
7	Coupler Style Guide
8	Pin-On/Mechanical/Hydraulic Bucket Options
9	Pin-On/Mechanical/Hydraulic Coupler Options
9	Dead Pin Kits
10	Klac Bucket Options
11	Klac Coupler & Adapter Plate Options
12	Hydraulic Thumb Options
12	Hydraulic Thumb Specs
13	Pin-On Buckets Specs
14	Klac Bucket Specs
15	Coupler Specs - All
16	Specialty Bucket Specs
17	B to C-Series Coupler/Bucket Compatibility



C Series Compact Excavator KLAC Coupler Operation

KLAC (*pronounced Clack*) couplers provide a mechanical coupler for buckets or other attachments without the digging power loss of a pin grabber coupler.

The KLAC coupler allows operators to release the bucket using the KLAC tool, and maneuver the arm to remove the attachment.

Once the operator has lined up the pins to put the attachment on, curling the bucket will engage the Klac system, snapping into place, so the operator does not have to leave the seat a second time to secure the bucket or attachment.

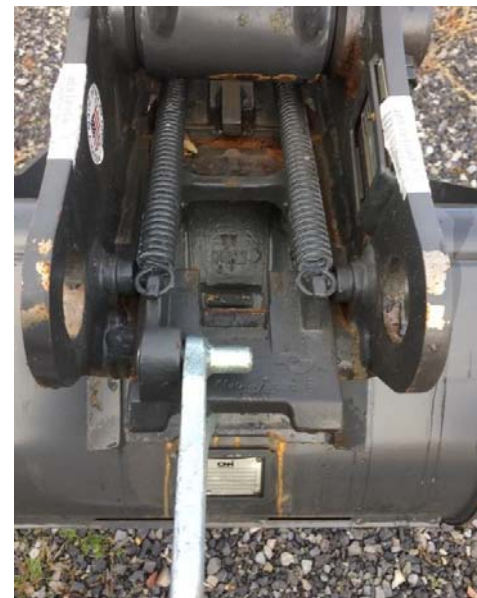
KLAC couplers only accept KLAC buckets



Unlock Tool installed



Pull downward on tool to unlock



Bucket unlocked



KLAC Unlock Tool



The coupler will stay in the unlocked position until a new bucket is attached and it will automatically lock.

After unlocking the KLAC coupler, remove the tool and store it.

Pin grabber buckets cannot attach to a KLAC coupler. A KLAC base plate can be purchased so that non KLAC buckets can be attached using the KLAC coupler.



C Series Compact Excavator Mechanical Pin Grabber Coupler

The optional Mechanical Pin Grabber coupler allows the Quick disconnect / connect of pin-on buckets.

The coupler comes with a tool (blue arrow) to open and close the coupler.

To disconnect the bucket - roll the bucket out to the position shown to first remove the lock pin (red end).

Insert the tool in the coupler as shown and raise the tool toward the arm until the pin can be reinserted through the holes (red Arrow) holding the coupler in the unlocked position.

Once released, the operator will move the arm to maneuver the coupler out of the bucket or attachment.

Reverse the process to lock the coupler on the next bucket.



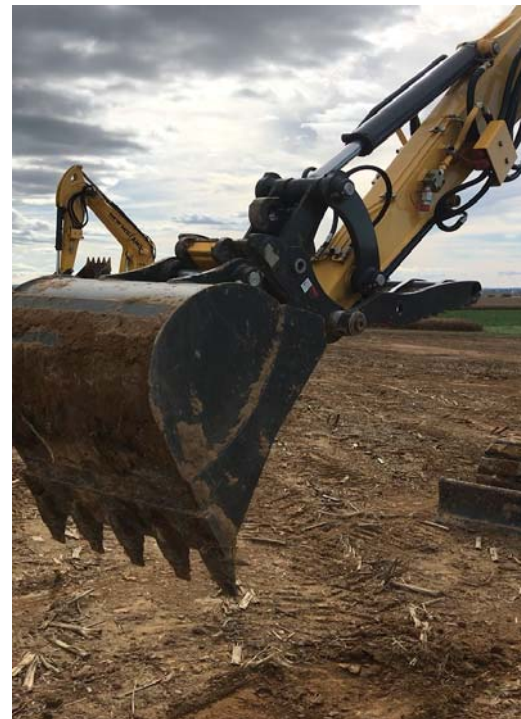
All buckets used must have a set of pins installed in the bucket. A dead pin kit for buckets is available through NH parts.



C Series Compact Excavator Hydraulic Pin Grabber Coupler

The hydraulic pin grabber allows the operator to use the hydraulic coupler switch in the cab to attach and un-attach pin grabber buckets and attachments without leaving the seat.

This option allows an operator to easily and quickly change attachments, and get back to work.








OPERATOR CONVENIENCE VS. BREAKOUT LOSS			
	Least ←	Breakout Loss	→ Greatest
Least ↑ Operator Convenience ↓ Greatest	 Direct Pin-On		
		 Klac Coupler	 Mechanical Pin Grabber
			 Hydraulic Pin Grabber


Coupler Style Guide

		Use	Notes
Direct Pin-On		For use where bucket changes are infrequent, or where cost of labor is less impactful.	Direct Fit buckets provide the best breakout force.
Klac Coupler		For use where operator convenience and limited breakout losses are key factors.	The low profile of the Klac style coupler is designed to mitigate the loss of breakout force.
Mechanical Pin Grabber		For use where bucket (accessory) changes are frequent.	Breakout force is reduced due to increased length between hydraulic torque input and digging implement.
Hydraulic Pin Grabber		For use where bucket (accessory) changes are frequent and operator convenience is key factor.	Breakout force is reduced due to increased length between hydraulic torque input and digging implement.



PIN-ON/MECHANICAL/HYDRAULIC BUCKETS OPTIONS

PART NUMBER	DECRPTION	E17C	E26C	E30C	E33C	E37C	E57C	E60C
48057605	10" HD Bucket	x						
48057606	 12" HD Bucket	x						
48057607	16" HD Bucket	x						
48057608	18" HD Bucket	x						
48057611	12" HD Bucket			x				
48057612	 18" HD Bucket			x				
48057613	24" HD Bucket			x				
48190704	12" HD Bucket**			x				
48190705	18" HD Bucket**			x				
48190706	24" HD Bucket**			x				
48057617	12" HD Bucket					x		
48057619	 18" HD Bucket					x		
48057620	24" HD Bucket					x		
48057621	36" HD Bucket						x	
48057622	36" Ditch Bucket						x	
48057625	12" HD Bucket							x
48057626	18" HD Bucket							x
48057627	 24" HD Bucket							x
48057628	36" HD Bucket							x
48057629	36" Ditch Bucket							x
48057637	36" Cemetery Bucket							x

 Most Popular

*Higher capacity than E26C bucket
+ No Direct fit - use with coupler Only on E30C

Bid Term: 2/20/19 - 2/19/21

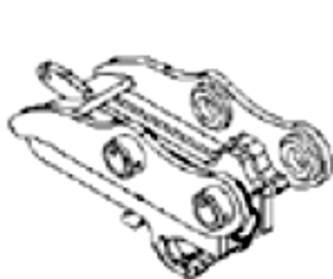


PIN-ON/MECHANICAL/HYDRAULIC COUPLERS

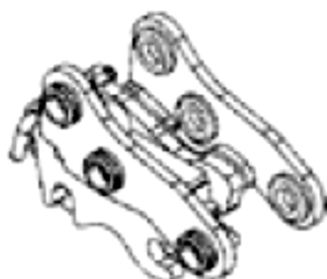
PART NUMBER	DECRPTION	E17C	E26C	E30C	E33C	E37C	E57C	E60C
48057609	Coupler, Mech	x						
48057615 ★	Coupler, Mech		x					
48057623 ★	Coupler, Mech				x			
48057630 ★	Coupler, Mech						x	
48094307	Coupler, Hyd		x					
48058013	Coupler, Hyd				x			
48058014	Coupler, Hyd						x	
48082917	Coupler, B/C Universal						x	

DEAD PIN KITS

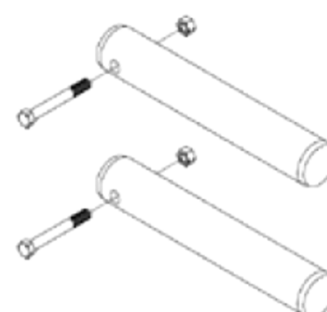
PART NUMBER	DECRPTION	E17C	E26C	E30C	E33C	E37C	E57C	E60C
48057610	Kit, Dead Pin	x						
47457879	Kit, Dead Pin		x					
48057624	Kit, Dead Pin				x			
48057631	Kit, Dead Pin						x	



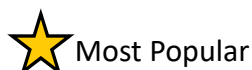
Hydraulic Pin Grabber



Mechanical Pin Grabber



Dead Pin Kit



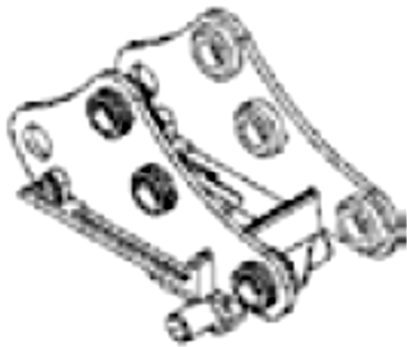


KLAC BUCKETS OPTIONS								
PART NUMBER	DECRPTION	E17C	E26C	E30C	E33C	E37C	E57C	E60C
47422586	10" HD Bucket	x						
47422587	★ 12" HD Bucket	x						
47422588	16" HD Bucket	x						
47422589	18" HD Bucket	x						
48094116	12" HD Bucket			x				
48094117	★ 18" HD Bucket			x				
48094118	24" HD Bucket			x				
47422654	12" HD Bucket					x		
47422655	★ 18" HD Bucket					x		
47422656	24" HD Bucket					x		
47422657	36" HD Bucket						x	
47422658	★ 36" Ditch Bucket						x	
47422702	12" HD Bucket							x
47422703	18" HD Bucket							x
47422704	★ 24" HD Bucket							x
47422705	36" HD Bucket							x
47422658	36" Ditch Bucket							x
47872281	36" Cemetery Bucket							x

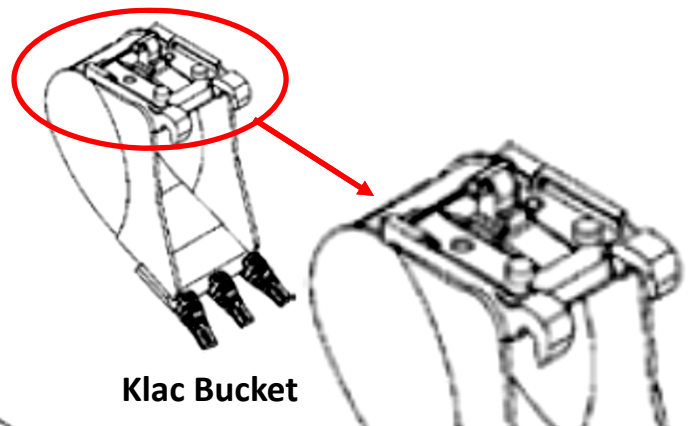


KLAC COUPLERS, ADAPTER PLATES

PART NUMBER	DESCRIPTION	E17C	E26C	E30C	E33C	E37C	E57C	E60C
47422602	Adapter, KLAC	x						
48057632	Coupler, KLAC	x						
47422632	Adapter, KLAC		x					
48057633	Coupler, KLAC		x					
47422660	Adapter, KLAC				x			
48057634	Coupler, KLAC				x			
47422660	Adapter, KLAC						x	
48057636	Coupler, KLAC						x	

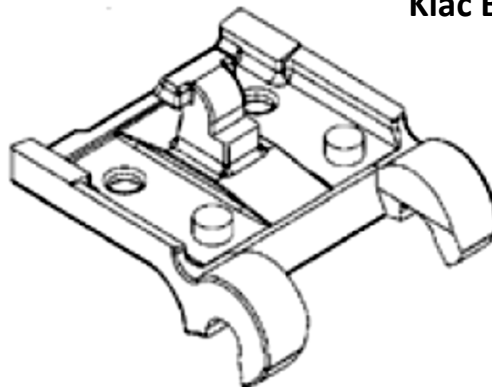


Klac Coupler



Klac Bucket

Klac Bucket Segment view



Klac Adapter Plate

****Use to convert other (non-Klac) buckets for Klac coupler****



HYDRAULIC THUMBS OPTIONS

PART NUMBER	DESCRIPTION	E17C	E26C	E30C	E33C	E37C	E57C	E60C
Hydraulic Coupler Only								
48094114	Thumb, Long	N/A	x	x				
Mechanical/Hydraulic Coupler								
48058020	Thumb, Long	N/A			x			
48058021	Thumb, Long	N/A					x	
Direct Fit/Mechanical/Klac Coupler								
48058019	Thumb, Short	N/A	x	x				
Direct Fit/Klac Coupler								
48059646	Thumb, Short	N/A			x			
48059650	Thumb, Short	N/A					x	

HYDRAULIC THUMB SPECS

Style	Part No.	Weight lbs. (kg)	Application Notes
E26C			
Short Thumb	48058019	121 (55)	For use with direct fit, Klac, or mechanical couplers.
Long Thumb	48094114	132 (60)	For use with hydraulic coupler. Longer tines needed to make up for the distance added by hydraulic pin grabber
E30C			
Short Thumb	48058019	121 (55)	For use with Klac or mechanical couplers.
Long Thumb	48094114	132 (60)	For use with direct fit or hydraulic coupler.
E33C & E37C			
Short Thumb	48059646	134 (61)	For use with Klac coupler and direct fit buckets. Short tine length necessary to match tine tip to bucket edge.
Long Thumb	48058020	150 (68)	For use with hydraulic and mechanical pin grabber couplers. Longer tines are needed to make up for the distance added by the pin grabber couplers.
E57C & E60C			
Short Thumb	48059650	154 (70)	For use with Klac coupler and direct fit buckets. Short tine length necessary to match tine tip to bucket edge.
Long Thumb	48058021	185 (84)	For use with hydraulic and mechanical pin grabber couplers. Longer tines are needed to make up for the distance added
			85 by the pin grabber couplers. Bid Term: 2/20/19 - 2/19/21



PIN-ON BUCKETS SPECS					
Part No.	Width in (mm)	Cut in (mm)	Rated ft³ (liter)	No. of Teeth	Weight lbs. (kg)
E17C (1-position)					
48057605	10 (254)	11 (279)	.87 (25)	3	79 (36)
48057606	12 (305)	13 (330)	1.0 (28)	3	86 (39)
48057607	16 (406)	17 (432)	1.3 (37)	3	97 (44)
48057608	18 (457)	19 (483)	1.5 (42)	4	106 (48)
E26C & E30C (1-position)					
48057611	12 (305)	13 (330)	1.3 (37)	3	121 (55)
48057612	18 (457)	19 (483)	2.0 (57)	4	154 (70)
48057613	24 (610)	25 (635)	2.7 (76)	5	185 (84)
E30C (1-position – high capacity)					
48190704	12 (305)	13 (330)	2.1 (59)	3	161 (73)
48190705	18 (457)	19 (483)	3.2 (91)	4	189 (86)
48190706	24 (610)	25 (635)	4.3 (119)	5	249 (113)
E33C & E37C (1-position)					
48057617	12 (305)	13 (330)	2.2 (62)	3	161 (73)
48057619	18 (457)	19 (483)	3.2 (91)	4	205 (93)
48057620	24 (610)	25 (635)	4.2 (119)	5	247 (112)
48057621	36 (914)	37 (940)	6.4 (181)	6	331 (150)
E57C & E60C (1-position)					
48057625	12 (305)	13 (330)	3.0 (85)	3	190 (86)
48057626	18 (457)	19 (483)	4.5 (127)	4	240 (109)
48057627	24 (610)	25 (635)	6.3 (178)	5	291 (132)
48057628	36 (914)	37 (940)	9.8 (278)	6	388 (176)

Refer to operator's manual for bucket application restrictions.



KLAC BUCKETS SPECS					
Part No.	Width in (mm)	Cut in (mm)	Rated ft³ (liter)	No. of Teeth	Weight lbs. (kg)
E17C					
47422586	10 (254)	11 (279)	.87 (25)	3	88 (40)
47422587	12 (305)	13 (330)	1.0 (28)	3	95 (43)
47422588	16 (406)	17 (432)	1.5 (42)	3	106 (48)
47422589	18 (457)	19 (483)	1.8 (51)	4	117 (53)
E26C & E30C					
48094116	12 (305)	13 (330)	1.4 (39)	3	143 (65)
48094117	18 (457)	19 (483)	2.1 (58)	4	176 (80)
48094118	24 (610)	25 (635)	2.8 (78)	5	209 (95)
E33C & E37C					
47422654	12 (305)	13 (330)	2.2 (62)	3	179 (81)
47422655	18 (457)	19 (483)	3.2 (91)	4	223 (101)
47422656	24 (610)	25 (635)	4.2 (119)	5	267 (121)
47422657	36 (914)	37 (940)	6.4 (181)	6	348 (158)
E57C & E60C					
47422702	12 (305)	13 (330)	3.0 (85)	3	220 (100)
47422703	18 (457)	19 (483)	3.6 (102)	4	256 (116)
47422704	24 (610)	25 (635)	5.0 (142)	5	309 (140)
47422705	36 (914)	37 (940)	7.8 (221)	6	408 (185)

Refer to operator's manual for bucket application restrictions.



COUPLER SPECS

Style	Part No.	Weight lbs. (kg)	Application Notes
E17C			
Mechanical	48057609	65 (29)	1-postion mount. Use with C-series pin-on buckets only.
Klac	48057632	30 (14)	1-postion mount. Use with Klac buckets only.
E26C & E30C			
Mechanical	48057615	95 (43)	1-postion mount. Use with C-series pin-on buckets only.
Hydraulic	48094307	95 (43)	1-postion mount. (Requires QC aux kit. Use with B-series and C-series pin-on buckets. Requires removal of spacer plates on coupler to fit B-series buckets.) Pin spacing range: 6.53"-8.66" (166mm-220mm) Pin diameter: 35mm
Klac	48057633	60 (27)	1-postion mount. Use with Klac buckets only.
E33C & E37C			
Mechanical	48057623	97 (44)	1-postion mount. Use with B-series and C-series pin-on buckets.
Hydraulic	48058013	115 (52)	1-postion mount. (Requires QC aux kit. Use with B-series and C-series pin-on buckets.) Pin spacing range: 6.69" - 8.78" (170mm-223mm) Pin diameter: 40mm
Klac	48057634	115 (52)	1-postion mount. Use with Klac buckets only.
E57C & E60C			
Mechanical	48057630	165 (75)	1-postion mount. Use with C-series pin-on buckets only.
Bucket Adapter (Mechanical)	48082917	160 (73)	1-postion mount. (Use for mounting B-Series and C-series pin-on buckets to C-Series.) Pin spacing – 8.98" (228mm) or 11.22" (285mm). Pin diameter – 45mm
Hydraulic	48058014	154 (70)	1-postion mount. (Requires QC aux kit. Use with C-series pin-on buckets only.) Pin spacing range – 10.28"-11.65" (261mm-296mm) Pin diameter – 45mm
Klac	48057636	110 (50)	1-postion mount. Use with Klac buckets only.



SPECIALITY BUCKETS SPECS

Part No.	Width in (mm)	Cut in (mm)	Rated ft ³ (liter)	No. of Teeth	Weight lbs.(kg)	Bolt-On Edge (Not Included)
E33C & E37C						
Ditch Cleaning Buckets - Pin-On						
48057622	36 (914)	37 (940)	6.6 (187)	–	233 (106)	47848358
E33C & E37C						
Ditch Cleaning Buckets - Klac						
47422658	36 (914)	37 (940)	6.6 (187)	–	315 (143)	47848358
E57C & E60C						
Ditch Cleaning Buckets – Pin-On						
48057629	36 (914)	37 (940)	6.6 (187)	–	238 (108)	47848358
E57C & E60C						
Ditch Cleaning Buckets - Klac						
47422658	36 (914)	37 (940)	6.6 (187)	–	315 (143)	47848358
E57C & E60C						
Cemetery Buckets – Pin-On						
48057637	36 (914)	37 (940)	3.5 (99)	6	269 (122)	N/A
E57C & E60C						
Cemetery Buckets – Klac						
47872281	36 (914)	37 (940)	3.5 (99)	6	310 (141)	N/A

Refer to operator's manual for bucket application restrictions.



C-SERIES MINI EXCAVATOR COUPLER/BUCKET COMPATIBILITY				
MODEL	PART NO.	DESCRIPTION	B- SERIES BUCKETS	C-SERIES BUCKETS
E17C	48057609	Coupler, Mechanical Pin-Grabber	No	Yes
E26C/E30C	48057615	Coupler, Mechanical Pin-Grabber	No	Yes
	48094307	Coupler, Hydraulic Pin-Grabber	Yes (requires removal of spacer plates)	Yes
E33C/E37C	48057623	Coupler, Mechanical Pin-Grabber	Yes	Yes
	48058013	Coupler, Hydraulic Pin-Grabber	Yes	Yes
E57C/E60C	48057630	Coupler, Mechanical Pin-Grabber	No	Yes
	48058014	Coupler, Hydraulic Pin-Grabber	No	Yes
	48082917	Coupler, B/C Series Universal Mechanical	Yes	Yes



Average Lead-Times		
Unit/Attachment	Order to Port	Port to Dealer
Italy	50-70 days	15-20 days
Korea	50-70 days	15-20 days
Buckets, Couplers & Thumbs	30 days (average) / 60 day (promise)	

*Subject to change without notice. Based on availability of parts.

- Units shipping from Korea will take longer in-transit to East Coast ports. Units shipping from Italy will take longer in-transit to West Coast ports.

Quick Ship Rules
1-2 units (if available in inventory, FIFO rule applies), if another order comes in same day ahead of the dealer order then they may not be able to ship. If dealer sees it available then time is critical.
If only 1 available they will ship 1 and place one on normal factory lead time FIFO schedule.
If greater 3 or more of same PN bucket it will be treated as a stocking order, normal lead times FIFO in factory apply, exception is if inventory can be immediately backfilled < 1 week.